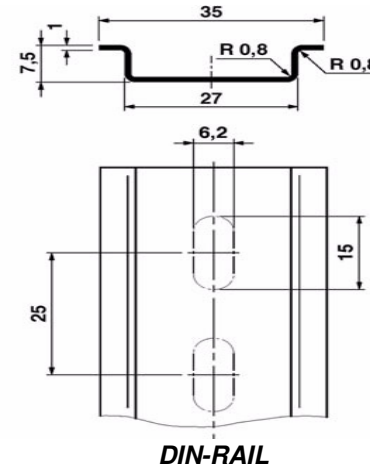
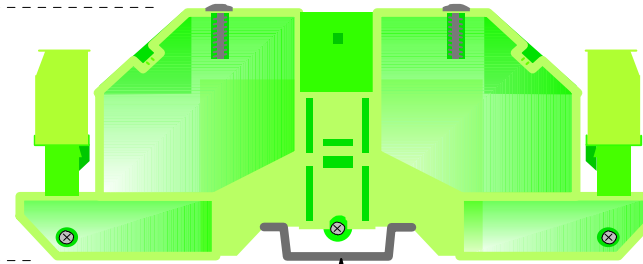
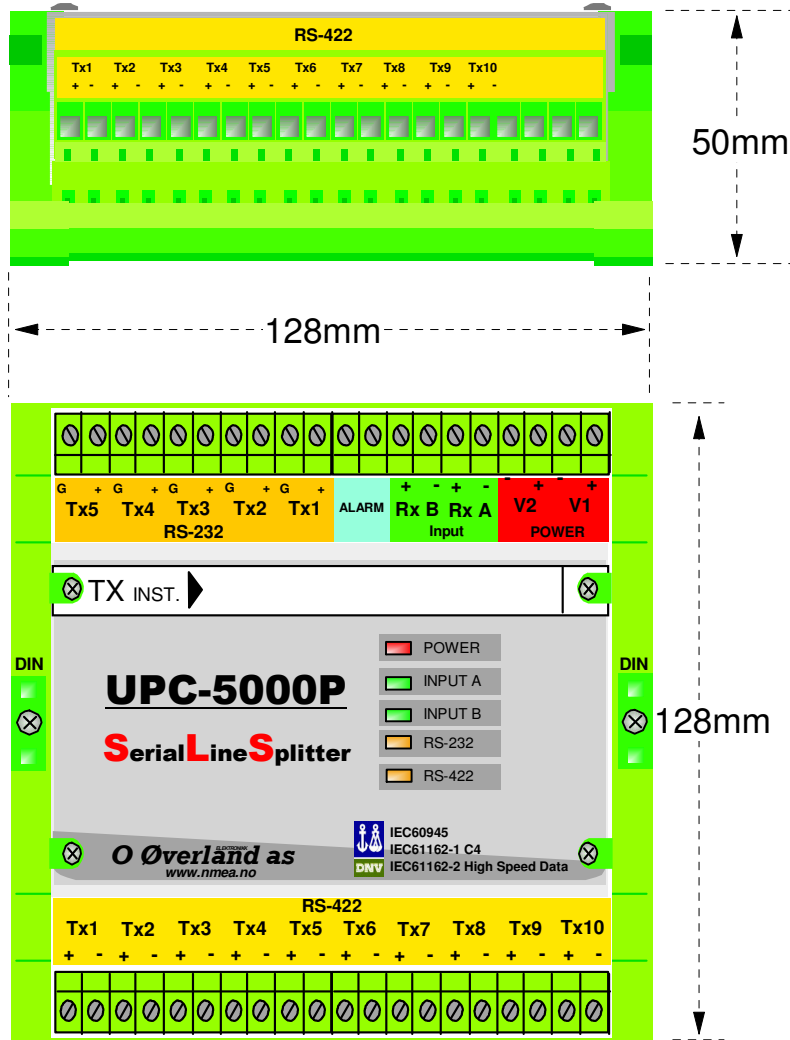


UPC-5000P

Input: RS-232, RS-422, NMEA0183.



UPC 5000P Specifications:

UPC 5000P is a serial line splitter with two separate inputs and fifteen outputs. Dual power input with autoswitch.

The two inputs A and B are separated with A as the primary input. If there is data on both A and B inputs, input A is used. Input B is used only if input A is idle.

The powersupply and both signal inputs are galvanic isolated from the outputs.

Specifications:

Powersupply main: 15-30Vdc 2W
 Powersupply sec: 15-30Vdc 2W
 Input A / Input B: NMEA 0183, RS232, RS422, RS485, CURRENT LOOP
 Outputs: 10 of RS-422, 50mA max, 5 of RS-232.

For Current Loop input. 100 ohm parallel
 All outputs are Short Circuit Protected
 Module-box with DIN-rail mounting
 Dimensions in mm: L-128 x H-50 x W-128



4000 Airline Dr, Suite D Houston, TX, 77022

Phone: +1-346-398-4400

Email: sales@delreypartners.com