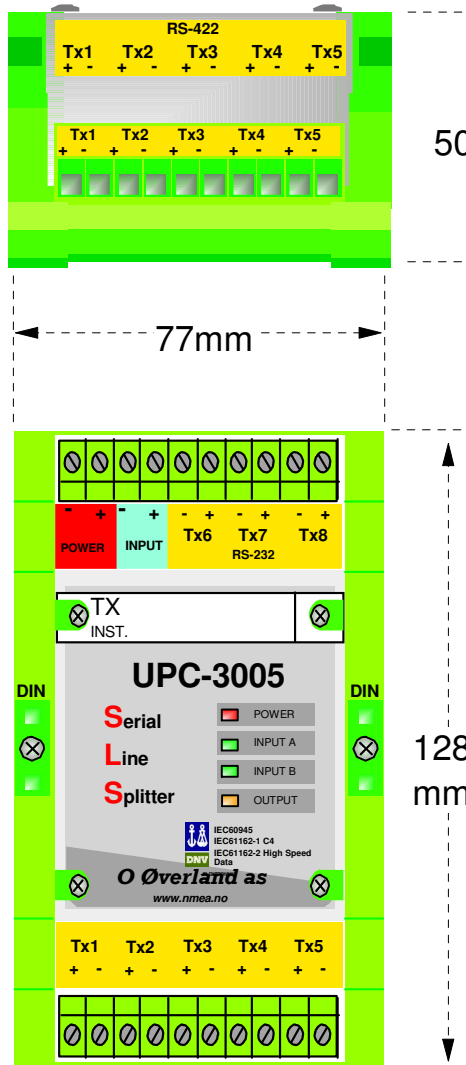


# UPC-3005 SLS

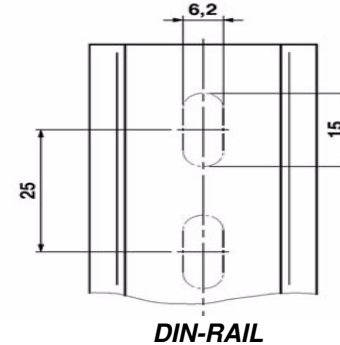
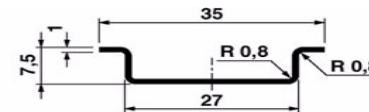
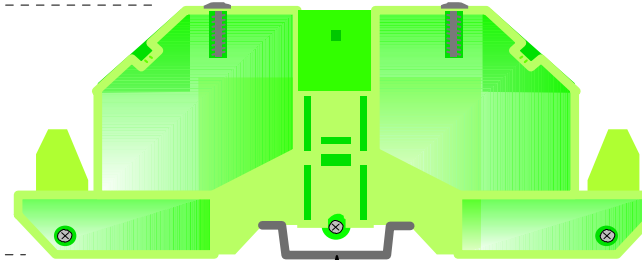
Input: RS-232, RS-422, NMEA0183.



50mm

77mm

128 mm



## UPC3005-SLS Specifications:

The powersupply and input are galvanic isolated from the outputs.

## Specifications:

Powersupply main: 15-30Vdc 2W

Powersupply sec: 15-30Vdc 2W

Input A: NMEA 0183, RS232, RS422, RS485, CURRENT LOOP

Outputs: 5 of RS-422, 50mA max, 3 of RS-232.

All outputs are Short Circuit Protected

Module-box with DIN-rail mounting

Dimensions in mm: L-77 x H-50 x W-128

**delrey**

4000 Airline Dr, Suite D Houston, TX, 77022

Phone: +1-346-398-4400

Email: sales@delreypartners.com