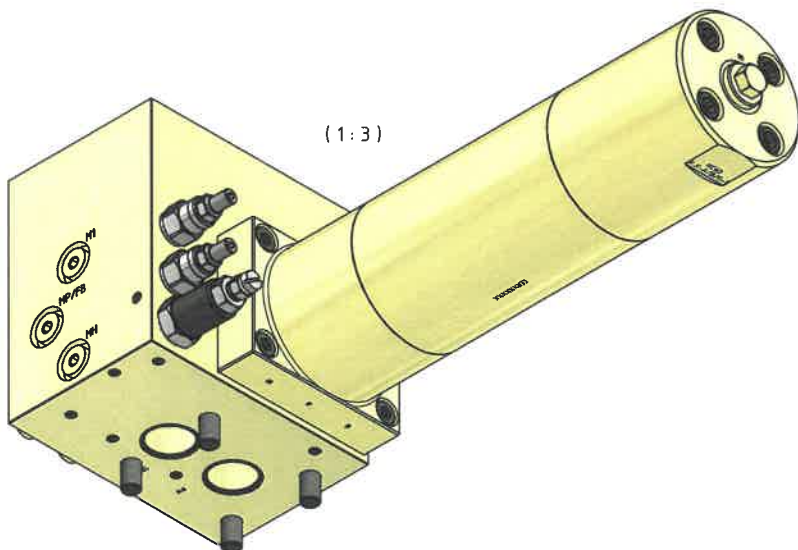


Port connections:
 P & T: 1 1/4" BSPP
 H & Z: Section view A-A
 M_p, M_t, M_i, F₁ & F₂: 1/4" BSPP



Filter Installation Guide

Plug installation position for bypass of oil to filter connection F1 & F2.

Remove plugs 27 from F1, F2 and MP/FB. Change the position of plug 12, from 1 to 2. Install filter between port connections F1 and F2.

PARTS LIST

ITEM	QTY	PART NUMBER	DESCRIPTION	SW1	SW2
1	1	HC6D- - - -D	Hydraulic Booster		
2	1	6D-836	Manifold		
4	1	W-SP11A-30CL	Sequence Valve (10.5-420 bar)	22mm 7/8" ~ 47 Nm	Inf. hex 4mm / 14.3mm
5	1	W-PB11A-30AL	Pressure Reducing Valve (7-210 bar)	22mm 7/8" ~ 47 Nm	Inf. hex 4mm / 14.3mm
6	1	MVE 4 A	Relief Valve (0-700 bar)	27mm ~ 80 Nm	Slotted / 13mm
12	1	4-621	Bypass Plug M6x6 DIN 913	Inf. hex 3mm ~ 10 Nm	
16	2	6D-622	Seal KS. BU7 31,4x7x34,83x1,68 NBR90		
27	5	2-630	Plug 1/4" BSPP incl. seal	Inf. hex 6mm ~ 38 Nm	
100	4	M12x180	Socket Head Cap Screw DIN 912 - 12.9	Inf. hex 10mm ~ 120 Nm	

Material		Issue		Material Code No.	
Changes		Date		Name	
				Finish	
				Break all edges	
				Hardening depth	
				HV	
Designer	Leif Hansen	Scale	1:2	M-HC6D-013-FL400	
Approved by	<i>[Signature]</i>	Format	A2	Intensifier System	
Date	07.01.2019			Assembly Drawing	
				<small>Confidential Property of miniBOOSTER HYDRAULICS A/S Denmark Not to be handled over its copied or used by third party.</small> 	
				Drawing No.: M-HC6D-013-FL400-00	