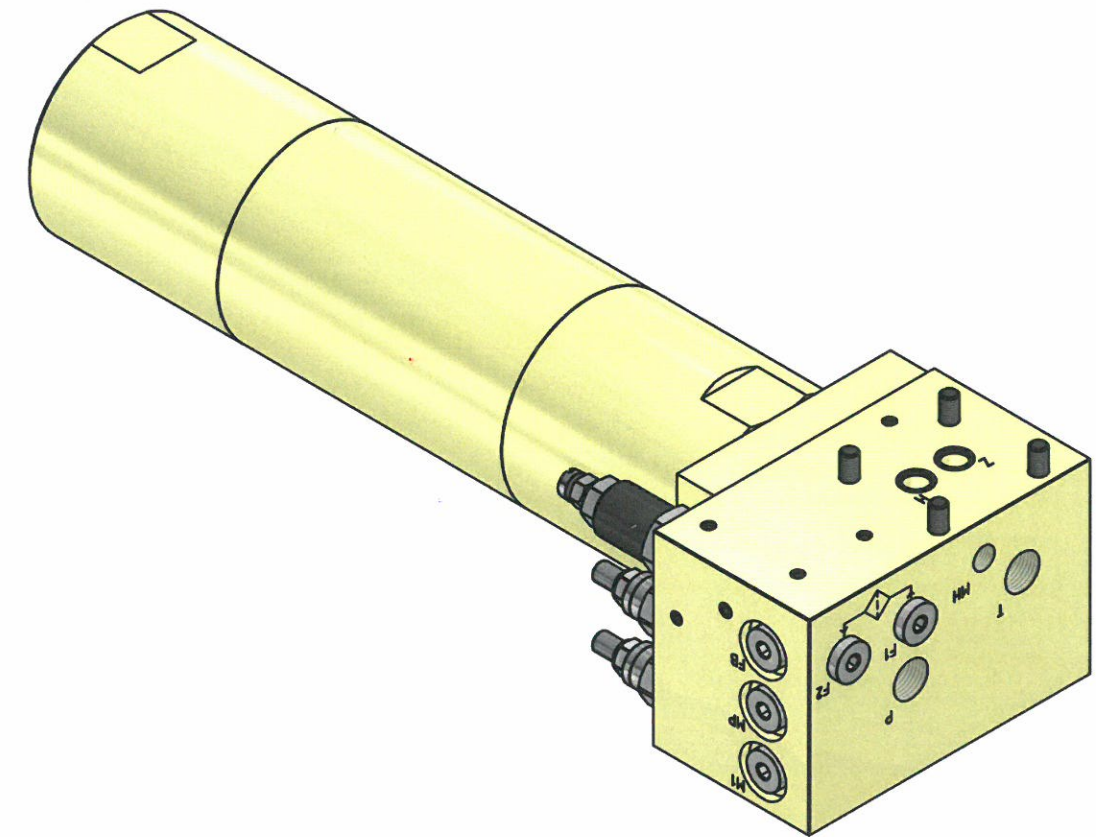
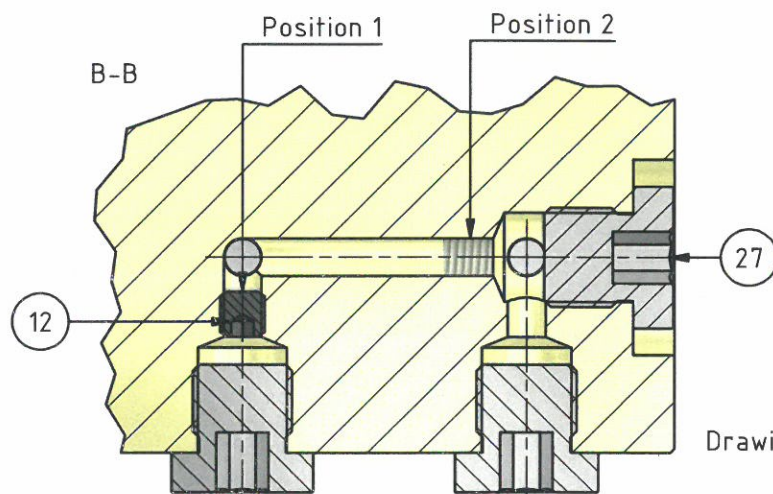


Drawing HV-399-\_\_ : Recommended machining of cylinder interface.



**Port connections:**  
 P & T: 1/2" BSPP  
 H & Z: Section view A-A  
 Mp, Mh, M1, F1, F2 & Fb: 1/4" BSPP



**Filter Installation Guide**

Plug installation position for bypass of oil to filter connection F1 & F2.  
 Remove plugs 27 from F1, F2 and FB. Change the position of plug 12, from 1 to 2.  
 Install filter between port connections F1 and F2.

PARTS LIST					
ITEM	QTY	PART NUMBER	DESCRIPTION	SW1	SW2
1	1	HC6D-__-A-1	miniBOOSTER		
2	1	3-053	Manifold		
4	1	W-SP11A-30CL	Sequence Valve (10.5-420 bar)	22mm 7/8" ~ 47 Nm	Int. hex 4mm / 14.3mm
5	1	W-PB11A-30AL	Pressure Reducing Valve (7-210 bar)	22mm 7/8" ~ 47 Nm	Int. hex 4mm / 14.3mm
6	1	MVE 4 A	Relief Valve (0-700 bar)	27mm ~ 80 Nm	Slottet / 13mm
12	1	4-621	M6x6 DIN 913	Int. hex 3mm ~ 10 Nm	
16	2	3-610	K.S.BU7 12,4x15,78x1,68 NBR90		
27	6	2-630	Plug 1/4" BSPP incl. seal	Int. hex 6mm ~ 38 Nm	
100	4	2D-614	Bolt M8x110 12,9 DIN 912	Int. hex 6mm ~ 38 Nm	

Material			Issue	Material Code No.
Changes	Date	Name	Finish	
Filter port F1, F2 and FB added.	18.08.2017	B.P.	Break all edges	
			Hardening depth	
			HV	
Designer	Brian Petersen	Scale 1:2	M-HC6D-013-FL100	
Approved by		Format A3	Intensifier System	
Date	11-03-2016		Assembly Drawing	Drawing No.: M-HC6D-013-FL100-01

