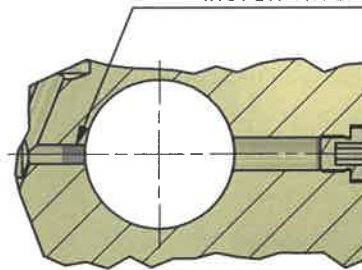


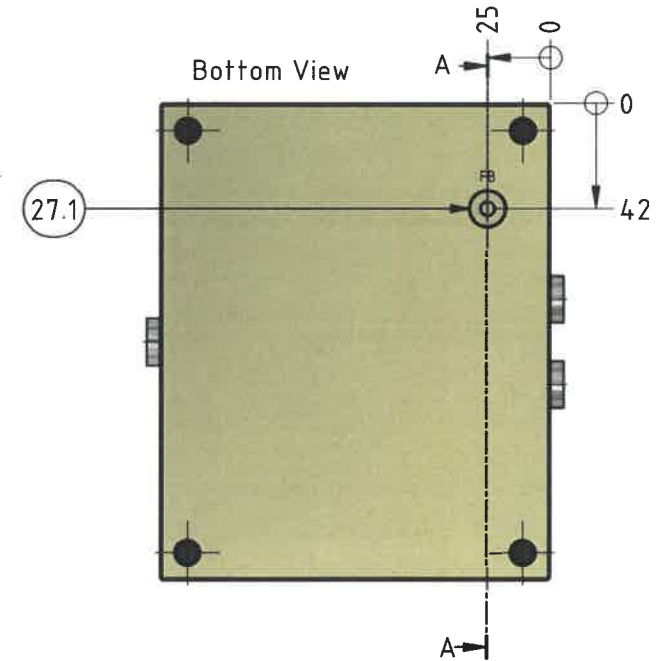
Filter Installation Guide

Plug installation position for bypass of oil to filter connection F1 & F2.

- Remove plug 12 from rest position
- Install plug 12 behind plug 27.1 (FB)
- Remove plugs 27.2 from port connections F1 & F2
- Install filter between port connections F1 & F2.



A-A (1:2)

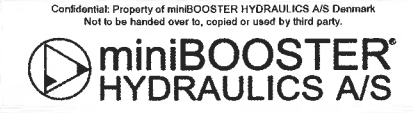


Port connections:

- P, T, Z & H: 1 1/4" BSPP
- M_P, M_H, M_I, F₁ & F₂: 1/4" BSPP
- F_B: 1/8" BSPP

PARTS LIST					
ITEM	QTY	PART NUMBER	DESCRIPTION	SW1	SW2
1	1	6D-121-01	Hydraulic Booster		
2	1	6D-833	Manifold		
4	1	W-SP11A-30CL	Sequence Valve (10.5-420 bar)	22mm 7/8" ~ 47 Nm	Int. hex 4mm / 14.3mm
5	1	W-PB11A-30AL	Pressure Reducing Valve (7-210 bar)	22mm 7/8" ~ 47 Nm	Int. hex 4mm / 14.3mm
6	1	MVE 4 A	Relief Valve (0-700 bar)	27mm ~ 80 Nm	Slottet / 13mm
12	1	4-621	Bypass Plug M6x6 DIN 913	Int. hex 3mm ~ 10 Nm	
27.1	1	1-630	Plug 1/4" BSPP incl. seal	Int. hex 5mm ~ 15 Nm	
27.2	5	2-630	Plug 1/4" BSPP incl. seal	Int. hex 6mm ~ 38 Nm	
100	4	6D-631	Bolt M10x160 12.9 DIN 912	Int. hex 8mm ~ 70 Nm	

Material		Issue	Material Code No.
Changes		Date	Name
HC6D-...-1 exchanged with HC6D-...-D		22-12-2017	BP
Manifold 3-044 changed to 6D-833		14-02-2020	P.W.
Port P,T,Z & Added the correct thread		09-10-2020	P.W.
			Hardening depth
			HV
Designer	Peter Wasmer	Scale	M-HC6D-013-1L400
Approved by		1:3	Intensifier System
Date	11-01-2016	Format	Assembly Drawing
		A3	Drawing No.: M-HC6D-013-1L400-03



Confidential: Property of miniBOOSTER HYDRAULICS A/S Denmark
Not to be handed over to, copied or used by third party.