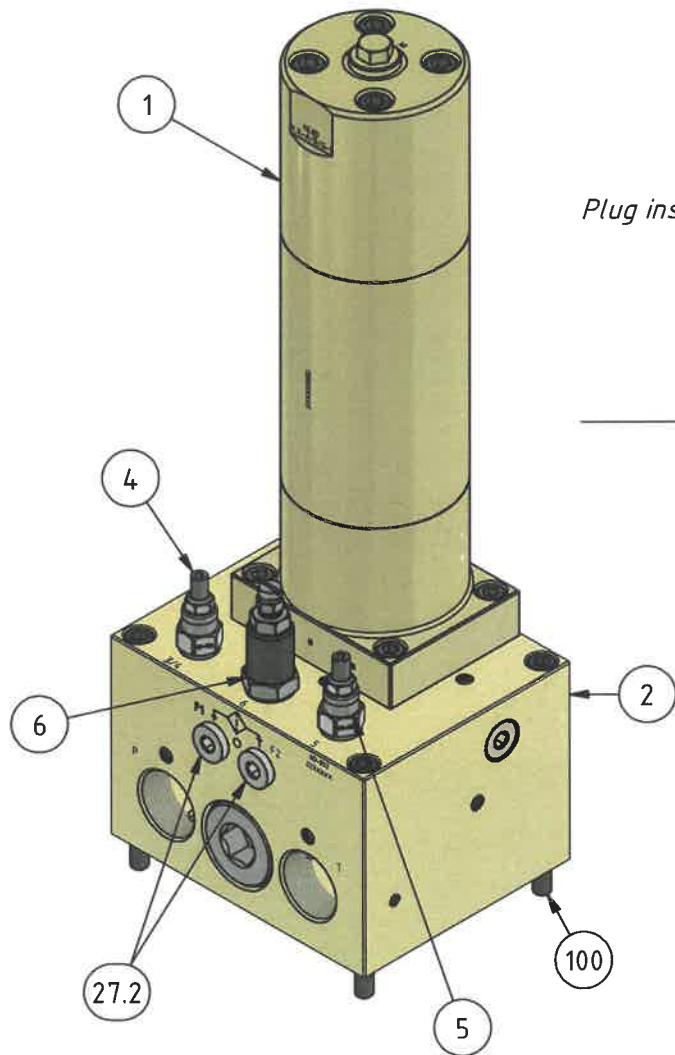


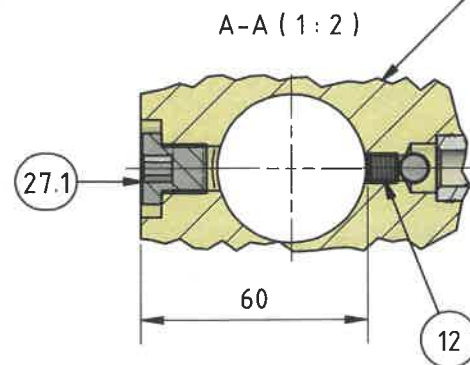
P / T / H / Z: 1-1/4" BSPP
M1 / MH / MP: 1/4" BSPP
F1 / F2: 3/8" BSPP



Filter Installation Guide

Plug installation position for bypass of oil to filter connection F1 & F2.

- Remove plugs 27.2 from port connections F1 & F2
- Remove plug 12 from rest position in F1
- Install plug 12 behind plug 27.1 in the port FB at the bottom
- Install filter between port connections F1 & F2



PARTS LIST					
ITEM	QTY	PART NUMBER	DESCRIPTION	SW1	SW2
1	1	HC6D-_-_-_-D	Hydraulic Booster		
2	1	6D-832	Manifold		
4	1	W-SP11A-30CL	Sequence Valve (10.5-420 bar)	22mm 7/8" ~ 47 Nm	Int. hex 4mm / 14.3mm
5	1	W-PB11A-30AL	Pressure Reducing Valve (7-210 bar)	22mm 7/8" ~ 47 Nm	Int. hex 4mm / 14.3mm
6	1	MVE 4 A	Relief Valve (0-700 bar)	27mm ~ 80 Nm	Slottet / 13mm
12	1	6-621	M8x8 - DIN 913	Int. hex 4 mm ~ 10 Nm	
100	4	6D2-614	DIN 912 - M10 x 1,5 x 140 x 32	Int. hex 8 mm ~ 70 Nm	
27.1	1	2-630	Plug 1/4" BSPP incl. seal	Int. hex 6mm ~ 30 Nm	
27.2	2	4-631	Plug 3/8" BSPP incl. seal	Int. hex 8 mm ~ 40 Nm	

Material			Issue	Material Code No.
Changes		Date	Name	Finish
HC6D-_-_-_-1 exchanged with HC6D-_-_-_-D		22-12-2017	BP	
Manifold 3-043 replaced by manifold 6D-832		25-05-2018	L.H.	Break all edges
F1 & F2 changed to 3/8" BSPP		29-05-2019	L.H.	Hardening depth
Filter Installation Guide & SW1 + SW2 added		28-02-2020	L.H.	
Manifold updated		02-03-2023	L.H.	HV

Designer	Leif Hansen	Scale 1 : 3	M-HC6D-013-1L200	
Approved by		Format A3	Intensifier System	
Date	11-01-2016		Assembly Drawing	

Confidential: Property of miniBOOSTER HYDRAULICS A/S Denmark
Not to be handed over to, copied or used by third party.

miniBOOSTER
HYDRAULICS A/S

Drawing No.: M-HC6D-013-1L200-05