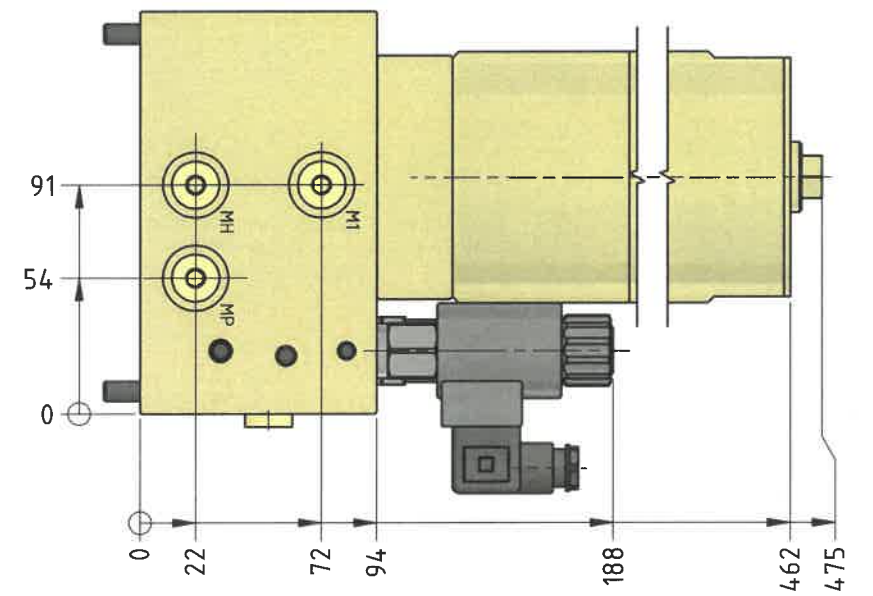


**Filter Installation Guide:**

Plug installation position for bypass of oil to filter connection F1 & F2.

- Remove plug 12 from rest position between F1 & F2
- Install plug 12 behind plug 27.1 in the FB port at the bottom
- Remove plugs 27.2 from port connections F1 & F2
- Install filter between port connections F1 & F2
- Filter Ordering Code: FIL-SF1-1\_4-CI-12 (1x) or FIL-SF2-1\_4-CI-12 (2x)



**Port connections:**

P, T, Z & H: 1/2" BSPP  
 M<sub>P</sub>, M<sub>H</sub>, M<sub>1</sub>, F<sub>1</sub> & F<sub>2</sub>: 1/4" BSPP  
 F<sub>B</sub>: 1/8" BSPP

**PARTS LIST**

ITEM	QTY	PART NUMBER	DESCRIPTION
1	1	HC6D-__-A-D	Hydraulic Booster
2	1	6D-831	Manifold
3	1	W-PFA11A3D0340N-WN	Solenoid Directional Valve
5	1	W-PB11A-30AL	Pressure Reducing Valve (7-210 bar)
12	1	6-621	M8x8 - DIN 913
6	1	MVE 4 A	Relief Valve (0-700 bar)
100	4	3-615	Bolt M8x100 12.9 DIN 912
27.1	1	1-630	Plug 1/8" BSPP incl. seal
27.2	5	2-630	Plug 1/4" BSPP incl. seal

Material		Issue	Material Code No.
Changes		Date	Finish
		Name	Break all edges
			Hardening depth
			HV
Designer	Leif Hansen	Scale	M-HC6D-012-1L100
Approved by	<i>[Signature]</i>	Format	Intensifier System
Date	01-11-2022	Format	Assembly Drawing
Confidential: Property of miniBOOSTER HYDRAULICS A/S Denmark Not to be handed over to, copied or used by third party.			
			Drawing No.: M-HC6D-012-1L100-00