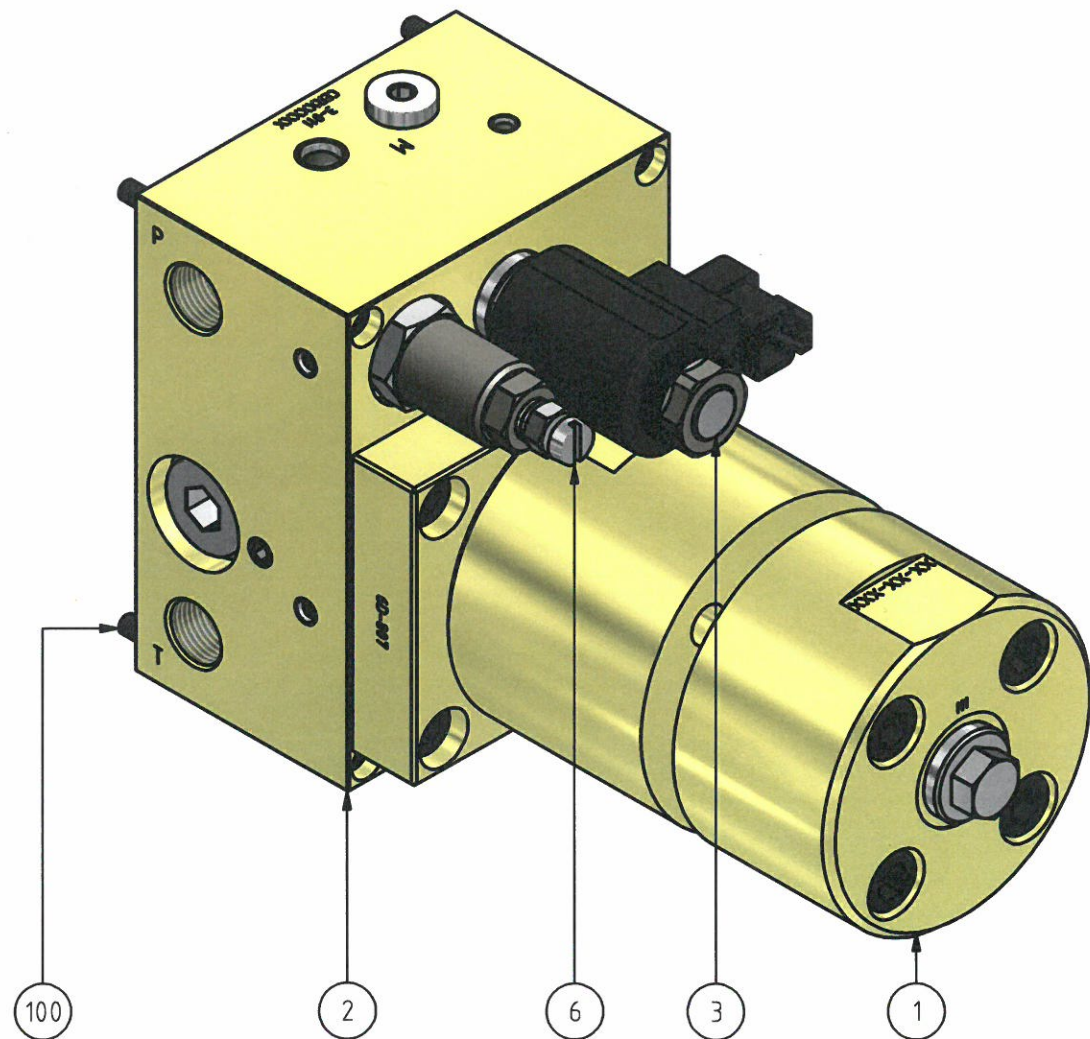


(1:5)

**Part connections:**  
P, T, Z & H: 1/2" BSP  
M: 1/4" BSP



PARTS LIST			
ITEM	QTY	PART NUMBER	DESCRIPTION
1	1	HC6D-...-A-1	miniBOOSTER
2	1	3-011	Manifold
3	1	SV10-23-04	Solenoid Directional Valve
6	1	MVE 4 A	Relief Valve (0-700 bar)
100	4	3-624	M6x80 hex. socket screw 12.9 - DIN 912

Material		Issue	Material Code No.
Changes		Date	Name
			Finish
			Break all edges
			Hardening depth
			HV
Designer	Brian Petersen	Scale 1 : 2	M-HC6D-010-1L
Approved by	<i>[Signature]</i>	Format A3	Intensifier System
Date	08-05-2014		Assembly Drawing
			<small>Confidential: Property of miniBOOSTER HYDRAULICS A/S Denmark  Not to be handed over to, copied or used by third party.</small> 
			Drawing No.: M-HC6D-010-1L-00