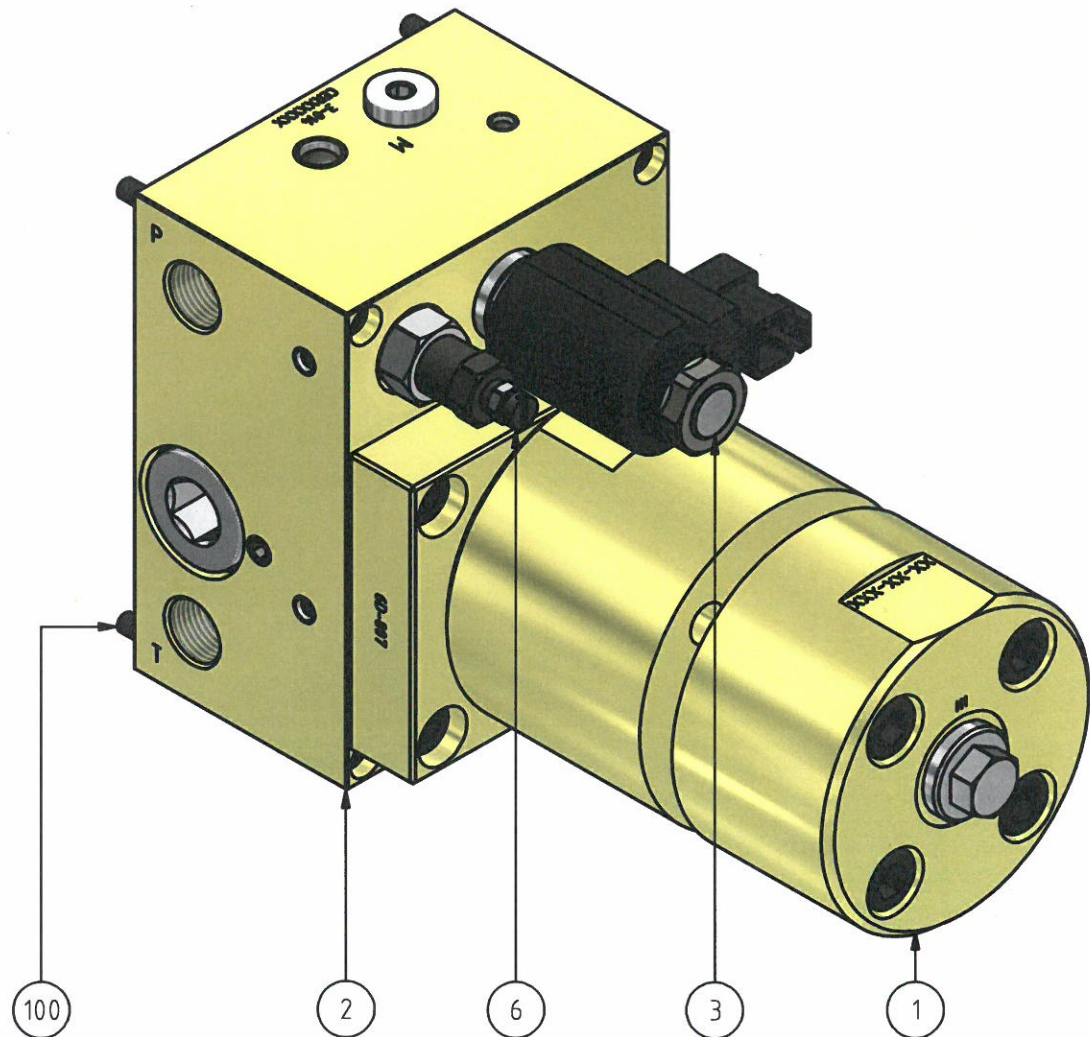


(1:5)

Port connections:
 P, T, Z & H: 1/2" BSP
 M: 1/4" BSP



PARTS LIST

ITEM	QTY	PART NUMBER	DESCRIPTION
1	1	HC6D-___-A-1	miniBOOSTER
2	1	3-014	Manifold
3	1	SV10-23-04	Solenoid Directional Valve
6	1	CMV 1B 500	Relief Valve (0-500 bar)
100	4	3-624	M6x80 hex. socket screw 12.9 - DIN 912

Material		Issue	Material Code No.
Changes		Date	Name
			Finish
			Break all edges
			Hardening depth
			HV
Designer	Brian Petersen	Scale 1:2	M-HC6D-010-1K Intensifier System
Approved by	<i>[Signature]</i>	Format A3	
Date	08-05-2014		
			<small>Confidential: Property of miniBOOSTER HYDRAULICS A/S Denmark Not to be handed over to, copied or used by third party.</small>
			Drawing No.: M-HC6D-010-1K-00