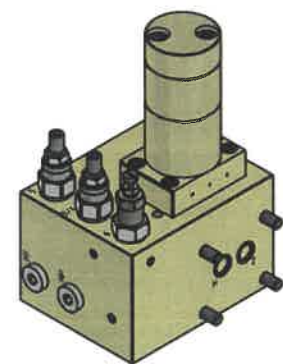
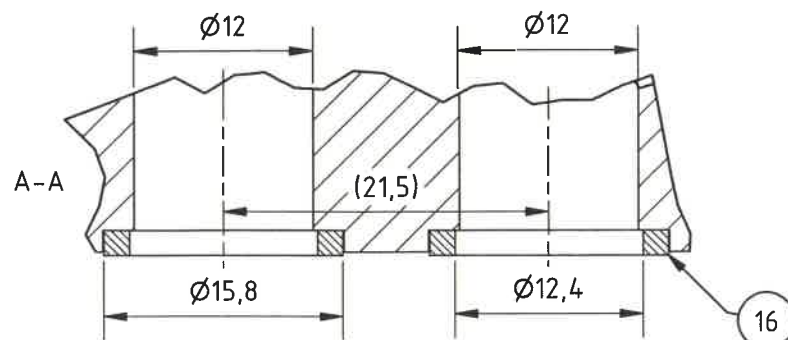
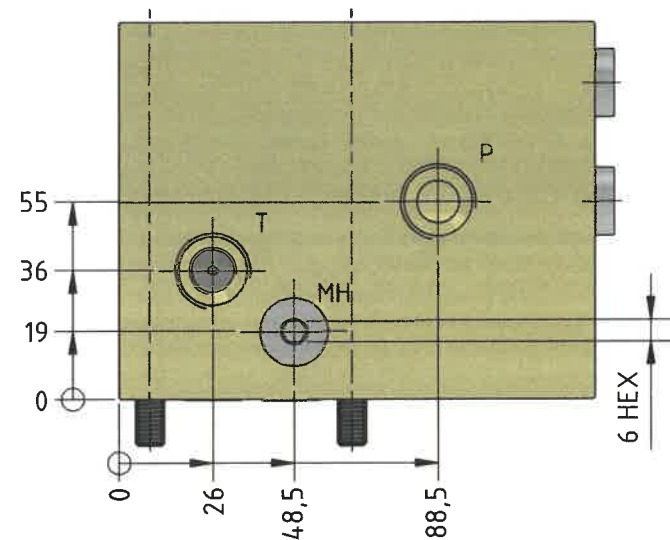


Max. outlet pressure: 500 bar
Max. bypass flow 100 l/min.



(1 : 5)

Port connections:

P & T: 1/2" BSPP
H & Z: Section view A-A
M: 1/4" BSPP

PARTS LIST

ITEM	QTY	PART NUMBER	DESCRIPTION
1	1	HC3-___-A-D	Hydraulic Booster
2	1	3-028	Manifold
4	1	W-SP11A-30CL	Sequence Valve (10.5-420 bar)
5	1	W-PB11A-30AL	Pressure Reducing Valve (7-210 bar)
6	1	CMV 1B 500	Relief Valve (0-500 bar)
16	2	3-610	K.S.BU7 12,4x15,78x1,68 NBR90
100	4	2D-614	Bolt M8x110 12,9 DIN 912

Material		Issue	Material Code No.
Changes Valves changed. Label added.		Date 06-04-2016	Name BP
Former drawing / type No. M-HC3-013-FK55-___		05-03-2021	L.H.
Former drawing No.: M-HC3-013-FK55-02		18-05-2021	L.H.
			HV
Designer	Leif Hansen	Scale 1 : 2	M-HC3-013-FK100
Approved by		Format A3	Intensifier System
Date	23-12-2014		Assembly Drawing

Confidential: Property of miniBOOSTER HYDRAULICS A/S Denmark
Not to be handed over to, copied or used by third party.

**miniBOOSTER
HYDRAULICS A/S**

Drawing No.: M-HC3-013-FK100-03