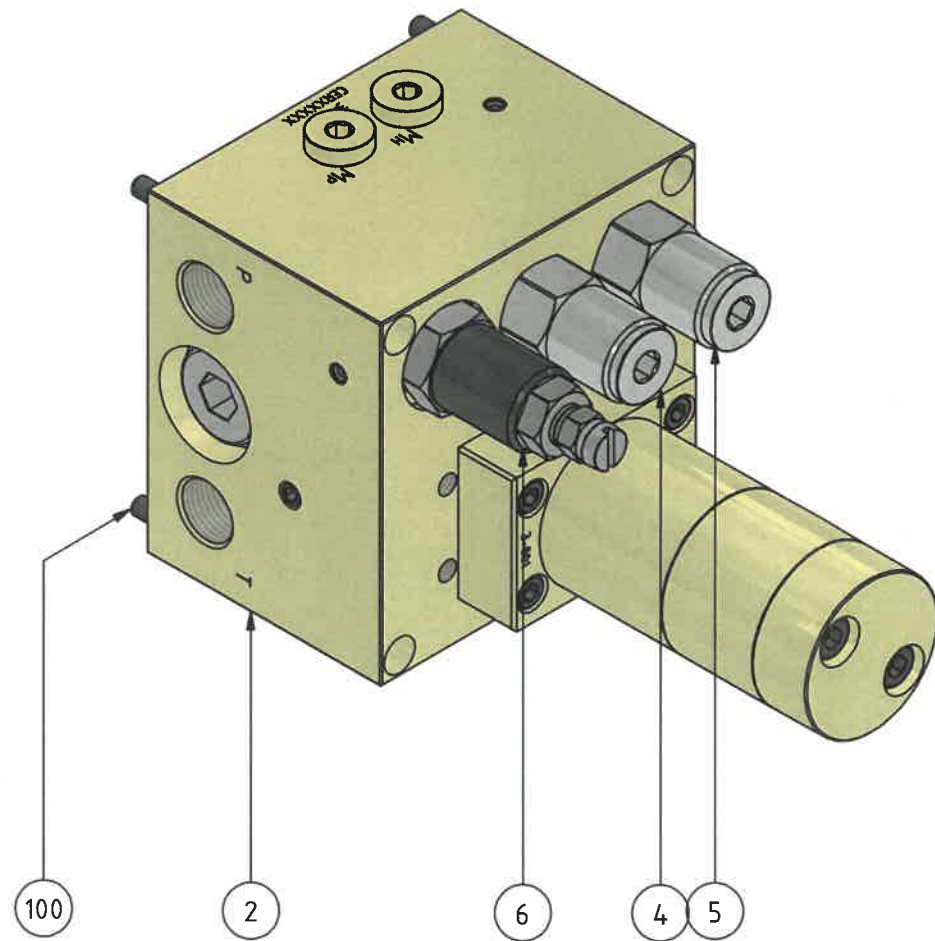


Port connections:
 P, T, Z & H: 1/2" BSPP
 M_P, M_H & M₁: 1/4" BSPP



PARTS LIST			
ITEM	QTY	PART NUMBER	DESCRIPTION
1	1	HC3-___-A-D	miniBOOSTER
2	1	3-027	Manifold
4	1	CP240-21B0AD0	Sequence Valve (28-345 bar)
5	1	CP230-4B0AC0	Pressure Reducing Valve (28-207 bar)
6	1	MVE 4 A	Relief Valve (0-700 bar)
100	4	3-624	M6x80 hex. socket screw 12.9 - DIN 912

Material		Issue	Material Code No.
Changes	Date	Name	Finish
Manometer ports added: MP & M1. M changed to MH	11-02-2015	BP	Break all edges
Various dimensions added	11-02-2015	BP	Hardening depth
Item #4 incorrect name.	12-06-2017	BP	HV
55 Added to the Drawing number	25-06-2019	PW	
Designer	Peter Wasmer	Scale	M-HC3-013-1L55 Intensifier System Assembly Drawing
Approved by	<i>Peter Wasmer</i>	1 : 2 Format A3	
Date	26-09-2014		
<small>Confidential: Property of miniBOOSTER HYDRAULICS A/S Denmark Not to be handed over to, copied or used by third party.</small>			
Drawing No.:			M-HC3-013-1L55-03