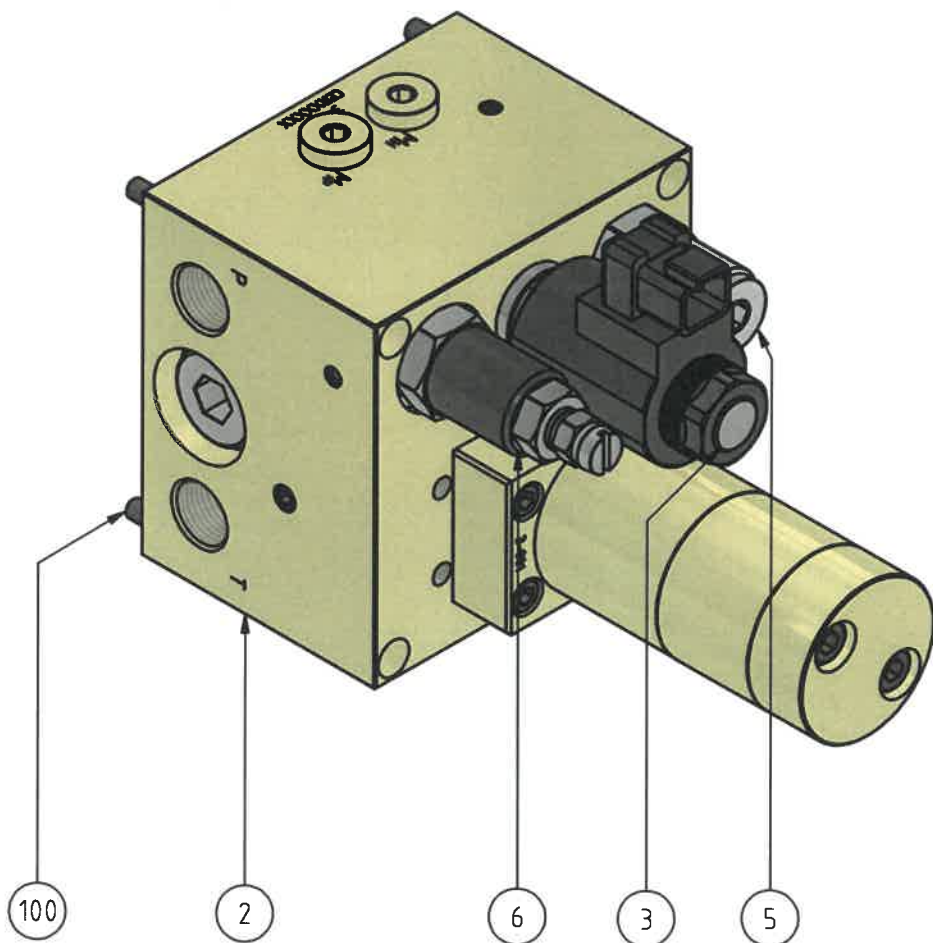


Port connections:
P, T, Z & H: 1/2" BSPP
M_P, M_H & M₁: 1/4" BSPP



PARTS LIST			
ITEM	QTY	PART NUMBER	DESCRIPTION
1	1	HC3-_-_-A-D	miniBOOSTER
2	1	3-027	Manifold
3	1	SV10-23-04	Solenoid Directional Valve
5	1	CP230-4B0AC0	Pressure Reducing Valve (28-207 bar)
6	1	MVE 4 A	Relief Valve (0-700 bar)
100	4	3-624	M6x80 hex. socket screw 12.9 - DIN 912

Material		Issue	Material Code No.
Changes Manometer ports added: MP & M1. M changed to MH		Date 11-02-2015	Name BP
Various dimensions added		11-02-2015	BP
55 Added to the Drawing number		25-06-2019	PW
			HV
Designer	Peter Wasmer	Scale 1:2	M-HC3-012-1L55 Intensifier System
Approved by	<i>[Signature]</i>	Format A3	
Date	26-09-2014		
			<small>Confidential: Property of miniBOOSTER HYDRAULICS A/S Denmark Not to be handed over to, copied or used by third party.</small>
			Drawing No.: M-HC3-012-1L55-02