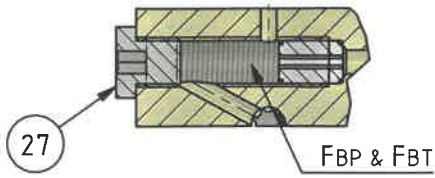
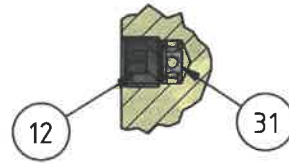


B-B (1:2)



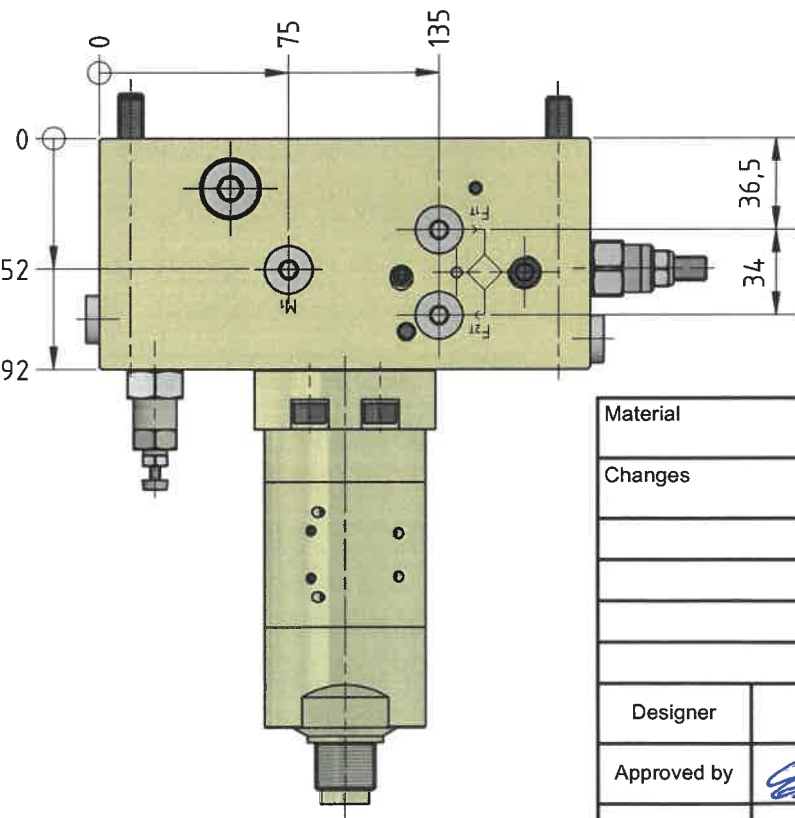
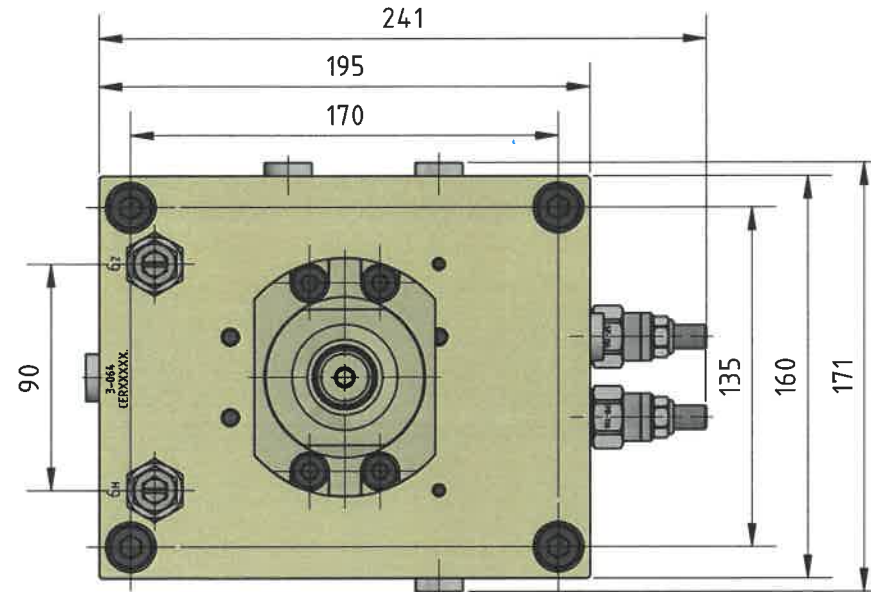
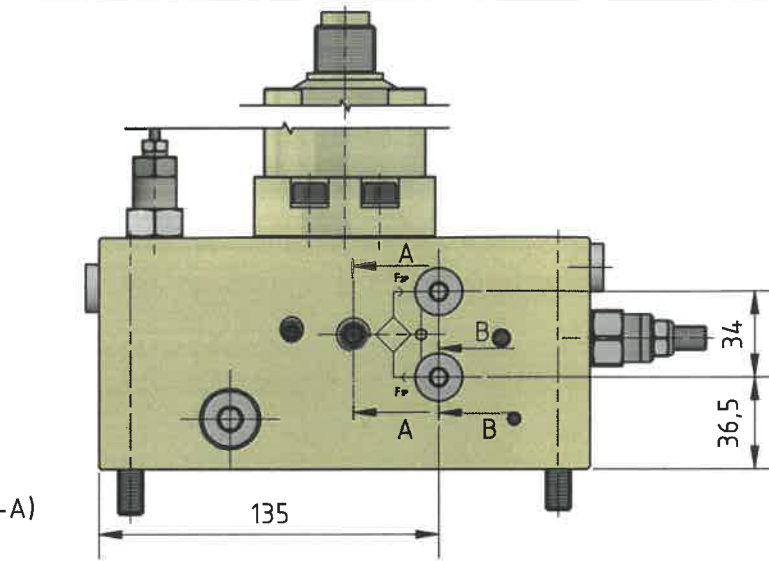
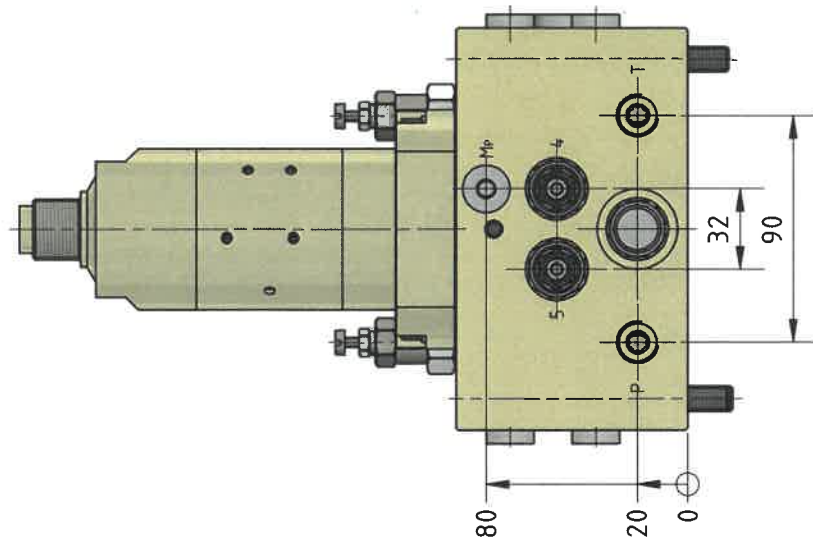
A-A (1:2)



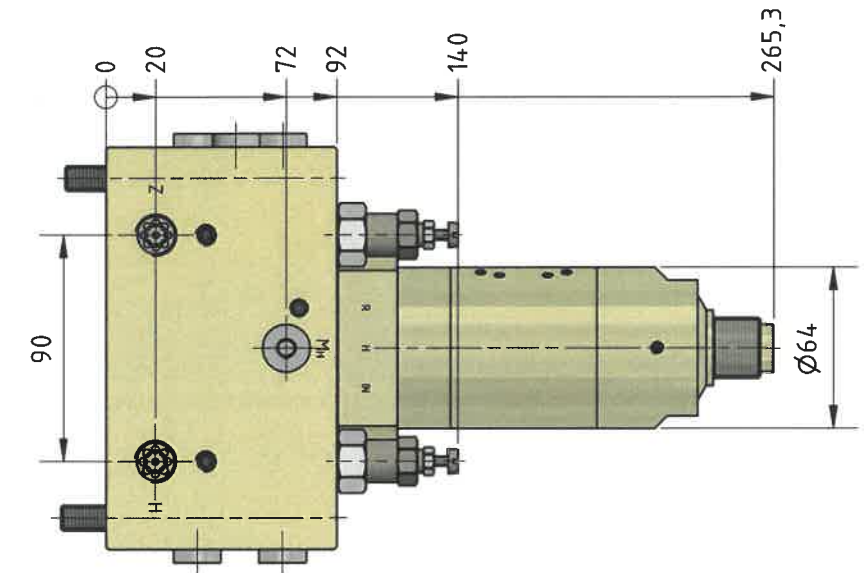
**Filter Installation Guide:**

Plug installation position for bypass of oil to filter connection F1P & F2P and F1T & F2T.

- Remove bypass plugs (item 12) and spacers (item 31) from rest positions (A-A)
- Remove plugs (item 27) from port connections F1P and F2P
- Install spacers (item 31) behind bypass plugs (item 12) in positions FBP and FBT through port connections F1P and F2P (B-B)
- Install filters between port connections F1P & F2P and F1T & F2T



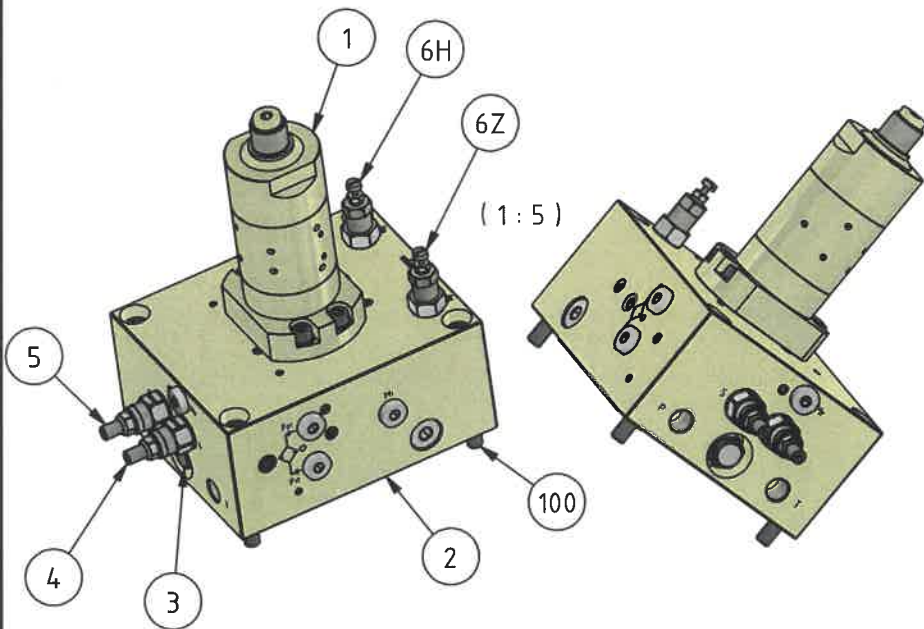
PARTS LIST			
ITEM	QTY	PART NUMBER	DESCRIPTION
1	1	HC2D-__-A-D	Hydraulic Booster
2	1	3-064	Manifold
3	1	DCCC-XHN	4/3 Directional Valve
4	1	W-SP11A-30CL	Sequence Valve (10.5-420 bar)
5	1	W-PB11A-30AL	Pressure Reducing Valve (7-210 bar)
12	2	3-629	Bypass Plug 1/4" BSPP
27	7	2-630	Plug 1/4" BSPP incl. seal
31	2	3-845	Spacer
6H	1	CMV 1B 500	Relief Valve (0-500 bar)
6Z	1	CMV 1B 500	Relief Valve (0-500 bar)
100	4	DIN 912 - M10 x 1,5 x 90 x 32	Cylinder Head Cap Screw



**Port Connections:**

P, T, Z & H: 3/8" BSPP  
M1, MP, MH, F1P, F2P, F1T & F2T: 1/4" BSPP

Function Diagram: 029-0\_\_



Material		Issue	Material Code No.
Changes		Date	Name
			Finish
			Break all edges
			Hardening depth
			HV
Designer	Leif Hansen	Scale 1:3	Intensifier System
Approved by	<i>[Signature]</i>	Format A3	M-HC2D-029-1K40
Date	02-10-2019		Assembly Drawing
			<small>Confidential: Property of miniBOOSTER HYDRAULICS A/S Denmark Not to be handed over to, copied or used by third party.</small> 
			Drawing No.: M-HC2D-029-1K40-00