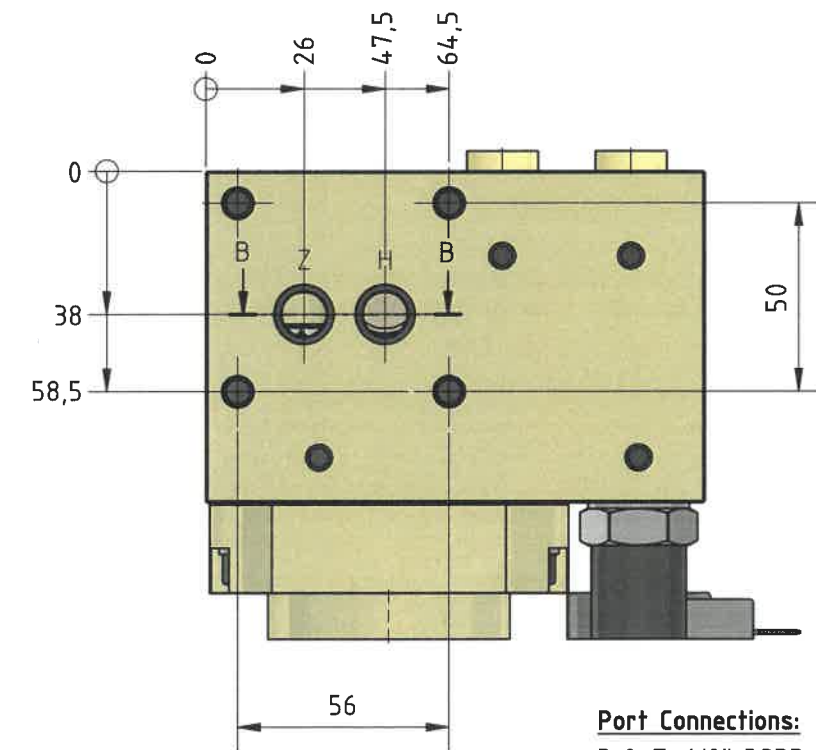
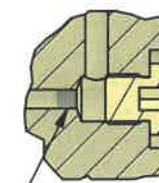


**Filter Installation Guide:**

Plug installation position for bypass of oil to filter connection F1 & F2.

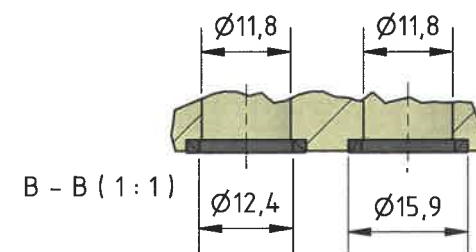
- Remove plug 12 from rest position
- Install plug 12 behind plug 27.2 in port connection FB
- Remove plugs 27.2 from port connections F1 & F2
- Install filter between port connections F1 & F2

A - A



**Port Connections:**

- P & T: 1/2" BSPP
- M1, MP, FB/MH: 1/4" BSPP
- F1 / F2 : 1/4" BSPP
- H & Z : Section View B-B



**PARTS LIST**

ITEM	QTY	PART NUMBER	DESCRIPTION	SW1	SW2
1	1	HC2D-_____-D	Hydraulic Booster		
2	1	3-067	Manifold		
3	1	W-PFA11A3D0340N-WN	Solenoid Directional Valve	22mm 7/8" ~ 47 Nm	
5	1	W-PB11A-30AL	Pressure Reducing Valve (7-210 bar)	22mm 7/8" ~ 47 Nm	Int. hex 4mm / 14.3mm
6	1	MVE 4 A	Relief Valve (0-700 bar)	27mm ~ 80 Nm	Slottet / 13mm
12	1	4-621	Bypass Plug M6x6 DIN 913	Int. hex 3mm ~ 10 Nm	
100	4	2D-614	Bolt M8x110 12.9 DIN 912	Int. hex 6mm ~ 38 Nm	
27.2	5	2-630	Plug 1/4" BSPP incl. seal	Int. hex 6mm ~ 38 Nm	

Material		Issue	Material Code No.
Changes		Date	Name
			Finish
			Break all edges
			Hardening depth
			HV
Designer	Peter Wasmer	Scale 1:2	M-HC2D-012-FL100
Approved by		Format A3	Intensifier System
Date	15-08-2019		Assembly Drawing
<small>Confidential: Property of miniBOOSTER HYDRAULICS A/S Denmark Not to be handed over to, copied or used by third party.</small>			
			Drawing No.: M-HC2D-012-FL100-00