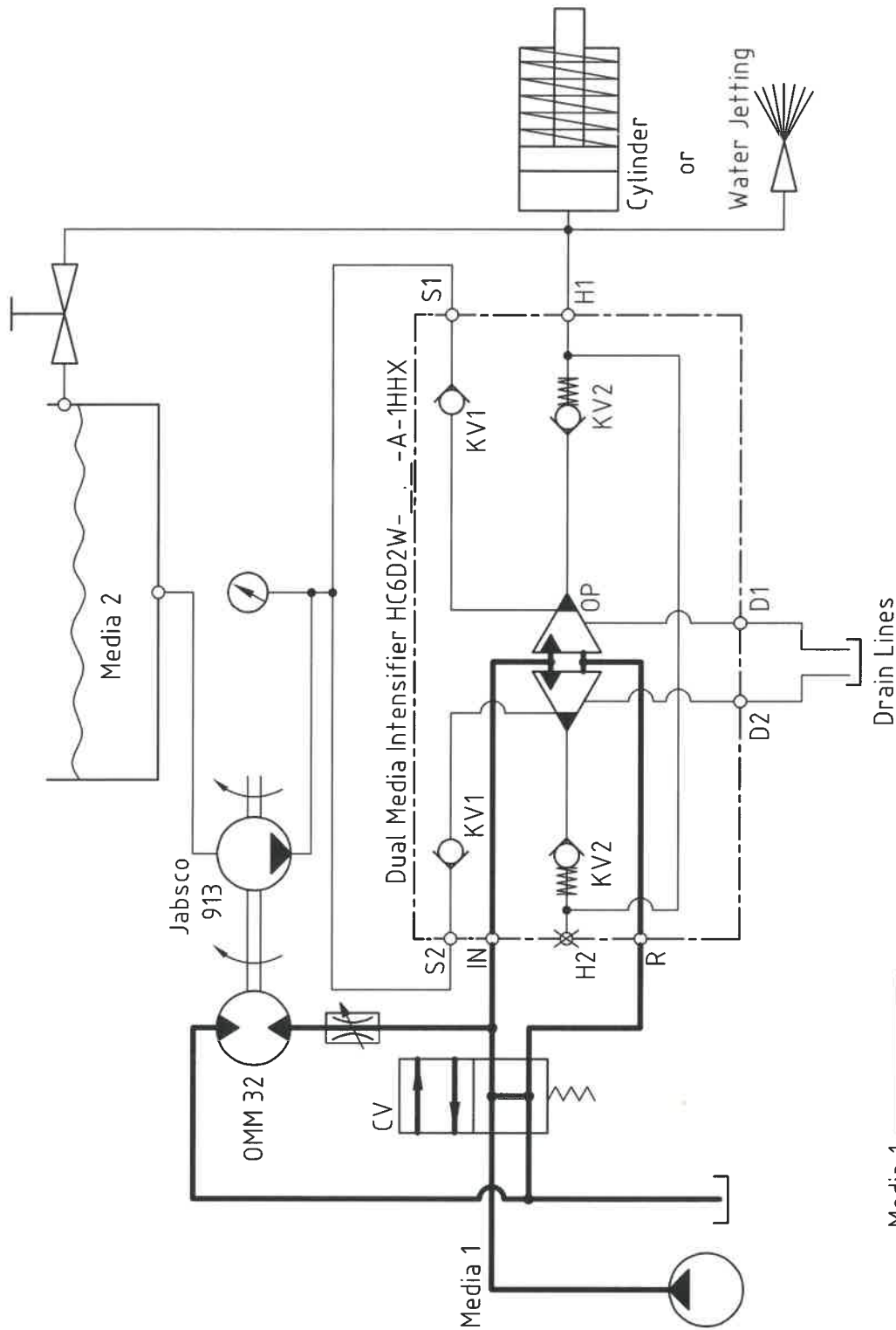


(✓) ✓



Media 1: _____
Media 2: _____

Dimension Drawings:
6D2W-120-0_

Number	Designation	Material	Dimension	Issue	Matr. code No.					
Changes		Date	Name	Ext. dim.: -, Int. dim.: +, Distance.: ±	Surface					
New issue		20.11.2018	L.H.		Break all edges					
				Meas. -range	0-6	6-30	30-100	100-300	300-1000	Hardening depth
				2 dec. ,00	0.05	0.10	0.15	0.20	0.30	
				1 dec. ,0	0.10	0.20	0.30	0.50	0.80	HV
				No dec.	0.30	0.50	0.80	1.20	2.00	
Replace		Scale	HC6D2W Funktionsdiagram					Confidential: Property of miniBOOSTER, HYDRAULICS A/S Denmark Not to be handed over to, copied or used by third party.		
Designer	Leif Hansen		HC6D2W Function Diagram							
Konf.			HC6D2W Funktionsdiagramm							
Approv.			HC6D2W Funktionsdiagramm					No.: 6D2W-105-01		
Date	04.09.2014									