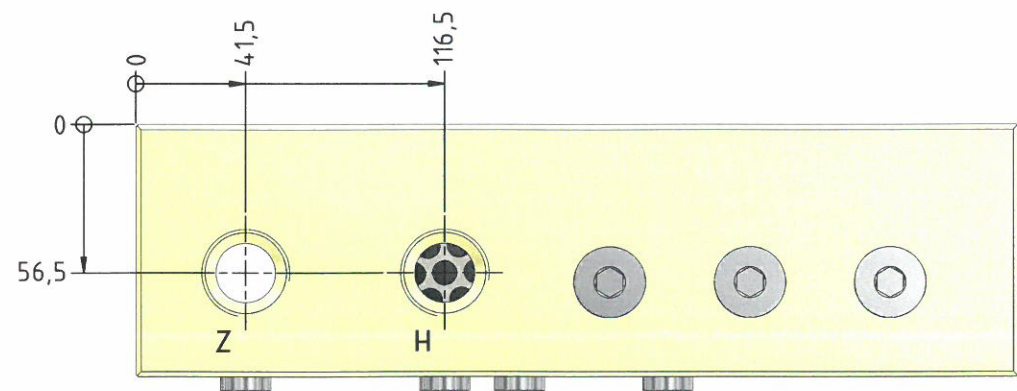
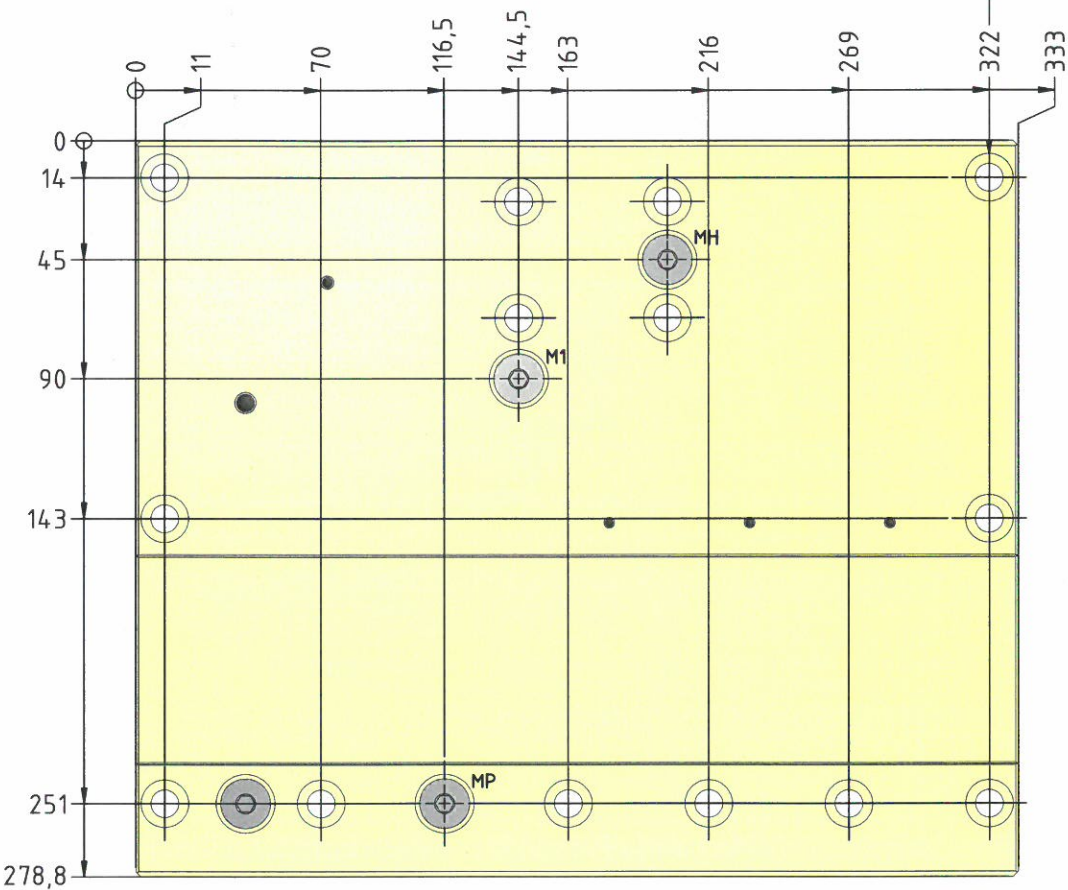
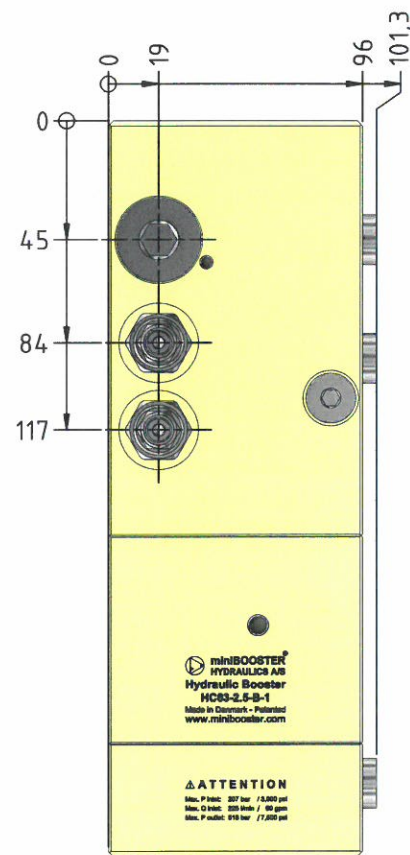
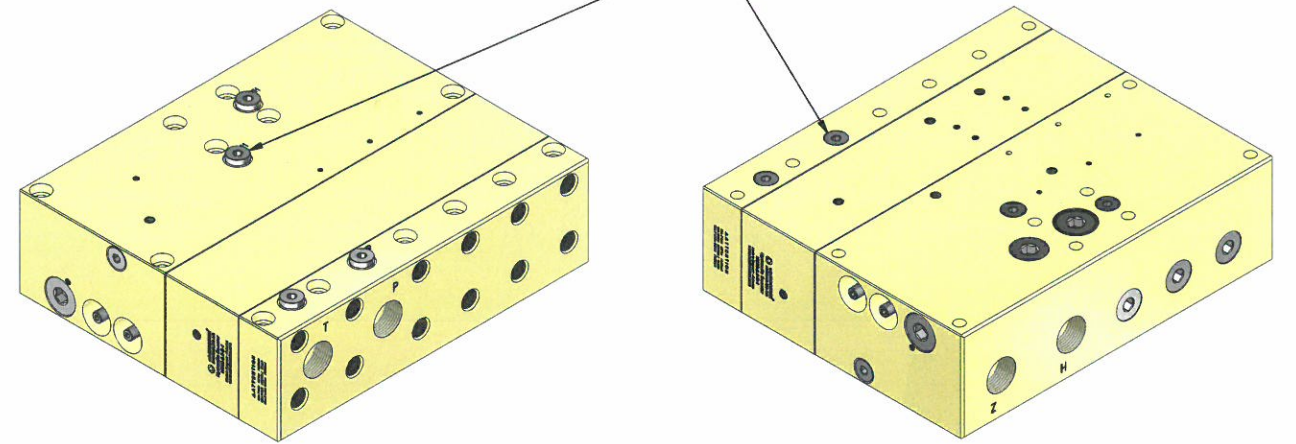


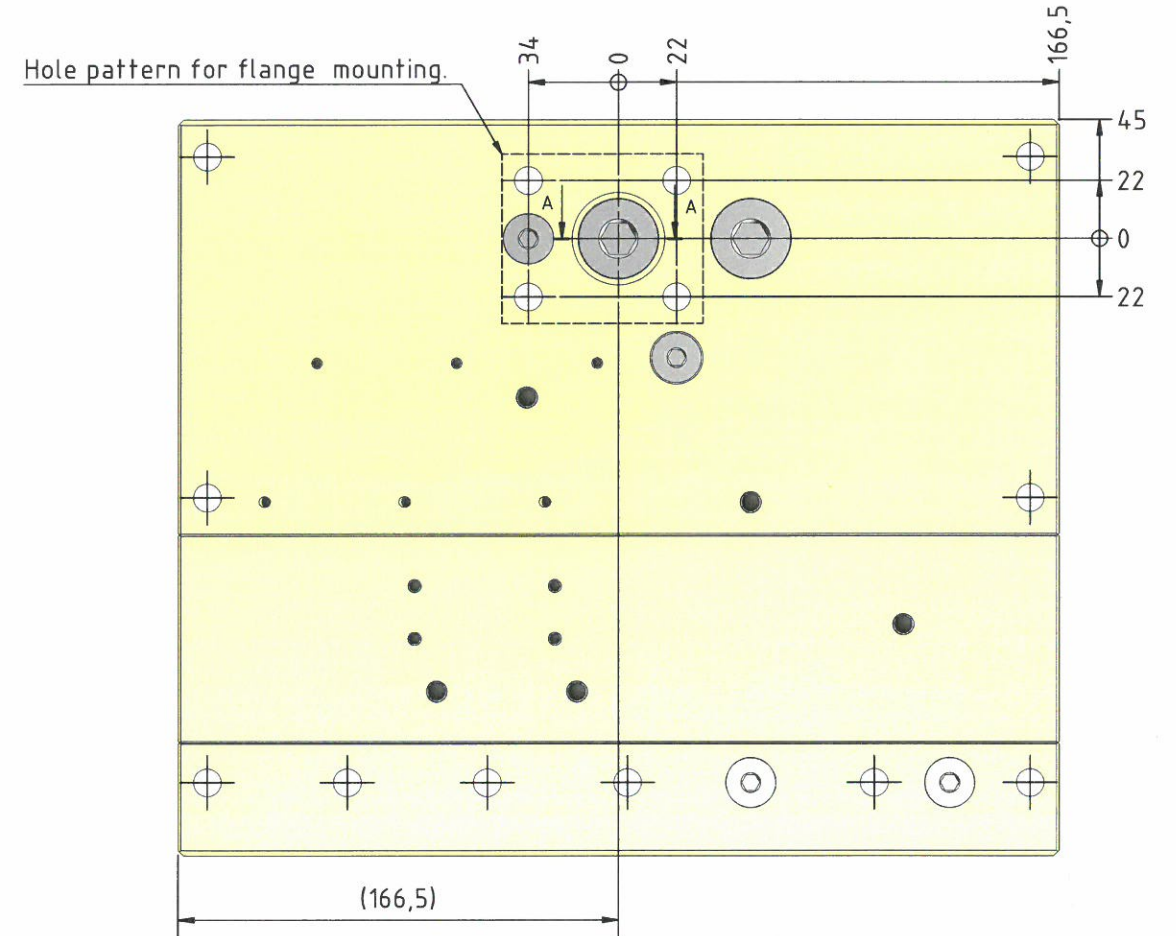
14 x Ø10,5 THRU
DIN 974 - Ø18 X 8



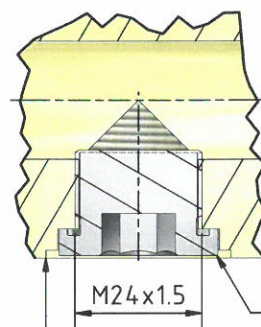
Removeable plugs (8x) for stacked boosters / intensifier system



Hole pattern for flange mounting.



A-A (1:1)



Removeable plug for flange mounting.
O-ring: DKAR00026-N7020

See drawing 62-120-F-0 for cylinder machining details.

Function Diagram: 63-105-0_

P, T, Z & H: 1" BSPP

H-port flange: Section A-A

Material		Issue	Material Code No.
Changes		Date	Name
New design		29.06.2016	L.H.
New design		17.01.2017	B.P.
			Break all edges
			Hardening depth
			HV
Designer	Leif hansen	Scale	HC63-...-1
Approved by	<i>[Signature]</i>	Format	Intensifier System
Date	31.03.2014	Format	Assembly Drawing
			Copyright: Property of miniBOOSTER HYDRAULICS A/S Denmark Not to be handled over to, copied or used by third party.
			Drawing No.: 63-120-02