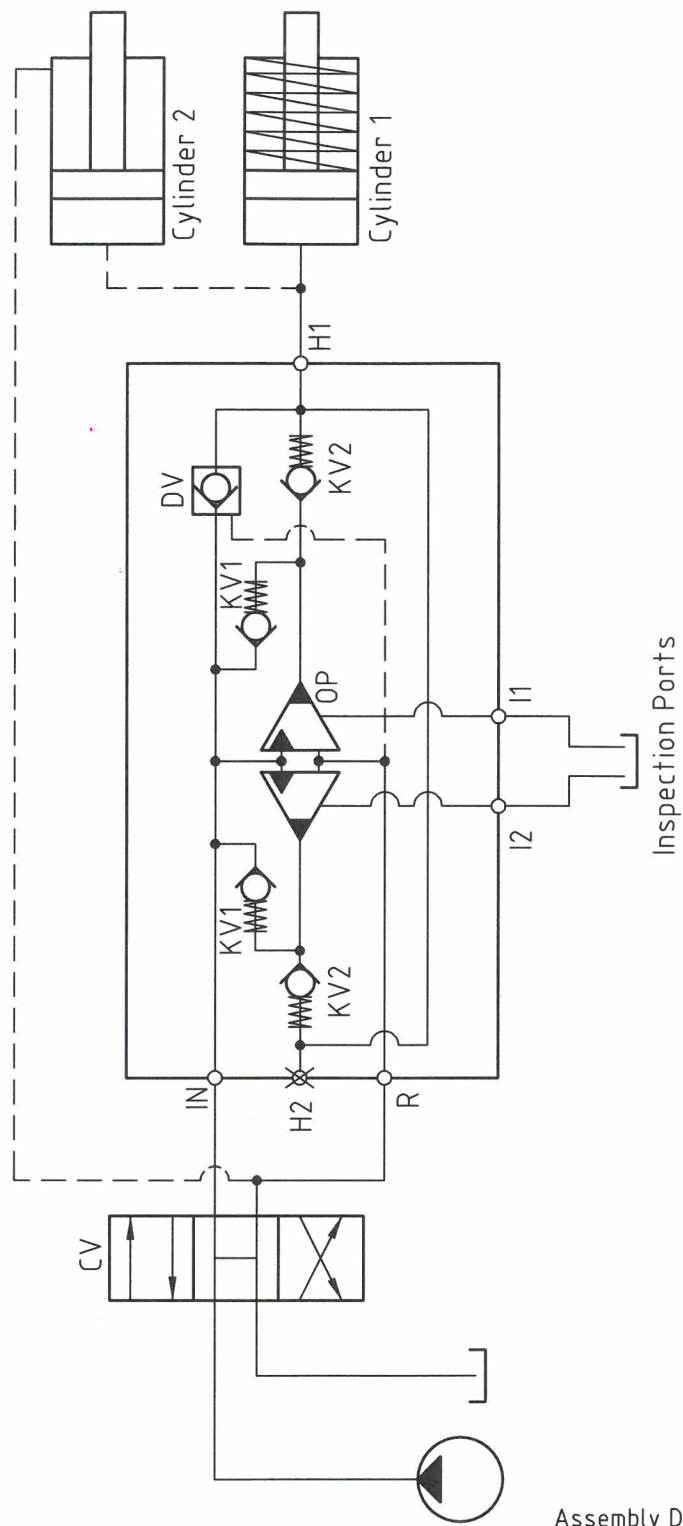



(✓) ✓



Assembly Drawing: 6DW-124-0_

Number	Designation	Material	Dimension	Issue	Matr. code No.
Changes		Date	Name	Ext. dim.:-, Int. dim.:+, Distance.:±	Surface
				Meas. -range	Break all edges
				0-6	0.05
				6-30	0.10
				30-100	0.15
				100-300	0.20
				300-1000	0.30
				2 dec. ,00	Hardening depth
				1 dec. ,0	0.10
					0.20
					0.30
					0.50
					0.80
				No dec.	HV
					0.30
					0.50
					0.80
					1.20
					2.00
Replace		Scale	HC6DW Funktionsdiagram		Confidential: Property of miniBOOSTER, HYDRAULICS A/S Denmark Not to be handed over to, copied or used by third party.  miniBOOSTER® HYDRAULICS A/S No.: 6DW-105-00
Designer	Leif Hansen		HC6DW Function Diagram		
Konf.			HC6DW Funktionsdiagramm		
Date	10.05.2017				