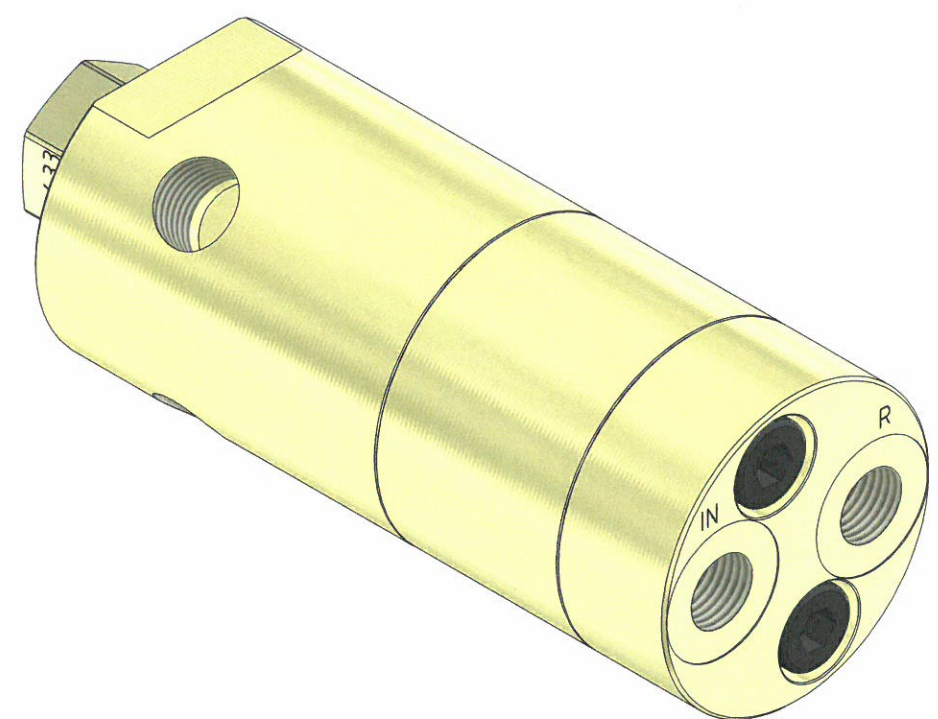
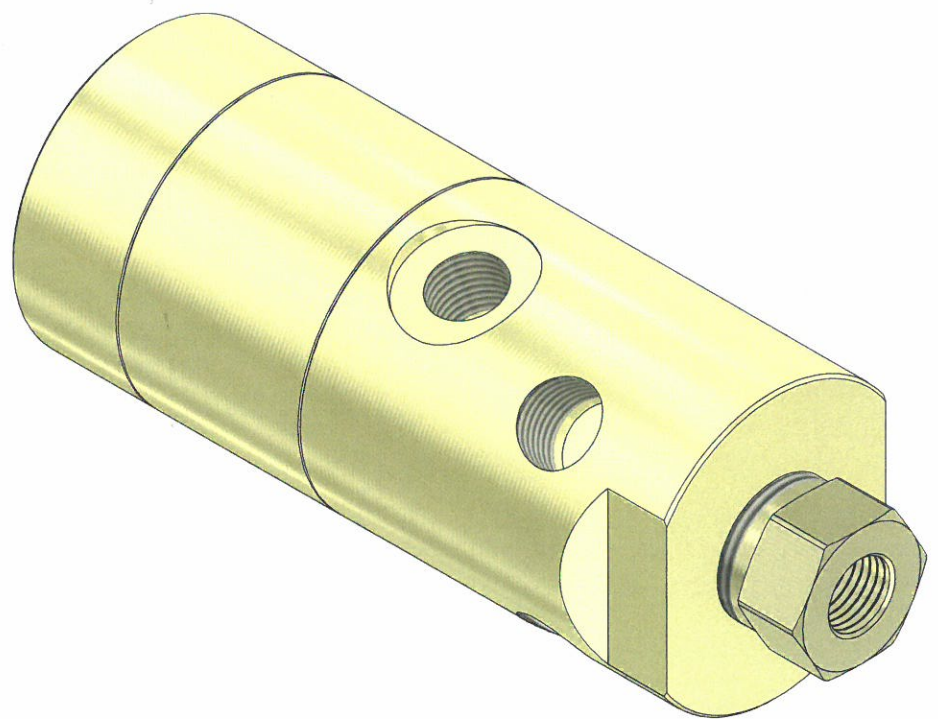


HP Connection drawing: 7-900-



Function diagram: 7-113-

Ordering code	IN & R	H1	H2	H3	T
HC7-__-__-11U	1/4" BSPP	22 x 1.5	-	-	1/4" BSPP
HC7-__-__-12U	1/4" BSPP	22 x 1.5	9/16-18 UNF	-	1/4" BSPP
HC7-__-__-13U	1/4" BSPP	22 x 1.5	9/16-18 UNF	9/16-18 UNF	1/4" BSPP
HC7-__-__-21U	7/16-20 UNF	22 x 1.5	-	-	9/16-18 UNF
HC7-__-__-22U	7/16-20 UNF	22 x 1.5	9/16-18 UNF	-	9/16-18 UNF
HC7-__-__-23U	7/16-20 UNF	22 x 1.5	9/16-18 UNF	9/16-18 UNF	9/16-18 UNF

Material		Issue	Material Code No.
Changes	Date	Name	Finish
Ordering No.: "K" to "U"	07.04.2015	L.H.	
Drawing renewed with 3D-model. 45° chamfer added.	31.05.2016	B.P.	Break all edges
			Hardening depth
			HV
Designer	Leif Hansen	Scale	HC7-__-__-U Hydraulic Booster
Approved by	<i>[Signature]</i>	1:1	
		Format A3	
Date	04.03.2015		Assembly Drawing
			<small>Confidential. Property of miniBOOSTER HYDRAULICS A/S Denmark. Not to be handed over to, copied or used by third party.</small>
			Drawing No.: 7-130-02