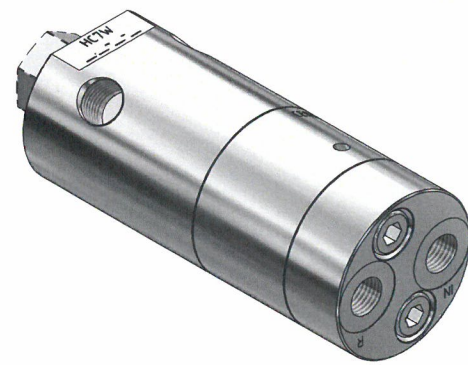


(1:2)



Function diagram: 7-105-__

Ordering code	IN & R	H1	H2	H3
HC7W-__-__-11	1/4" BSPP	22 x 1.5	-	-
HC7W-__-__-12	1/4" BSPP	22 x 1.5	9/16-18 UNF	-
HC7W-__-__-13	1/4" BSPP	22 x 1.5	9/16-18 UNF	9/16-18 UNF
HC7W-__-__-21	7/16-20 UNF	22 x 1.5	-	-
HC7W-__-__-22	7/16-20 UNF	22 x 1.5	9/16-18 UNF	-
HC7W-__-__-23	7/16-20 UNF	22 x 1.5	9/16-18 UNF	9/16-18 UNF

Material		Issue	Material Code No.
Changes	Date	Name	Finish
New issue	15.02.2017	L.H.	Break all edges
			Hardening depth
			HV
Designer	Brian Petersen	Scale	HC7W-__-__-__ Hydraulic Booster
Approved by	<i>[Signature]</i>	1:1	
		Format	
Date	30.05.2016	Format	A3
		Assembly Drawing	
<small>Confidential. Property of miniBOOSTER HYDRAULICS A/S Denmark Not to be handed over to, copied or used by third party.</small>			
Drawing No.:			7W-120-01