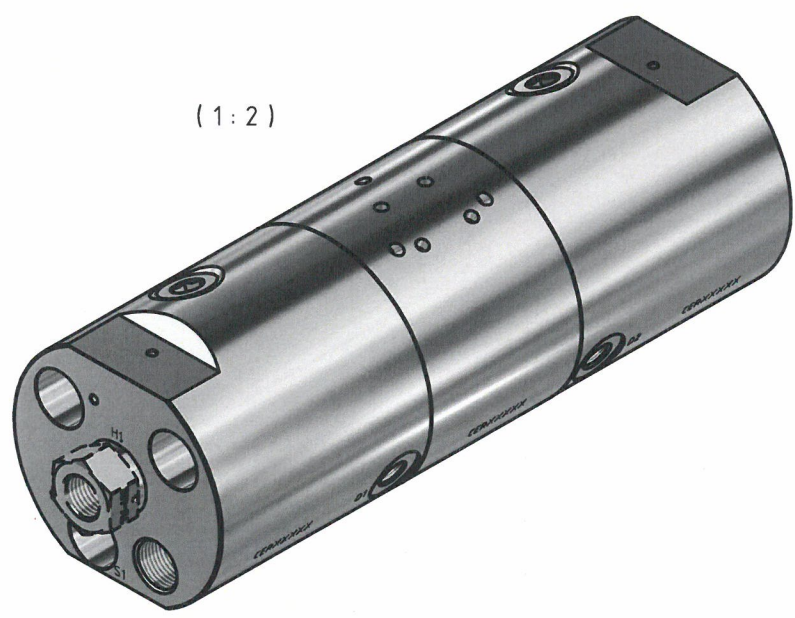


| Port Connections |           |           |         |
|------------------|-----------|-----------|---------|
| IN & R           | S1 & S2   | D1 & D2   | H1 & H2 |
| 1/4" BSPP        | 3/8" BSPP | 1/8" BSPP | M22x1,5 |



Hydraulic Diagram: 2D2W-105-0\_

|             |                    |           |   |
|-------------|--------------------|-----------|---|
| Material    |                    | Issue     | Material Code No.   |
| Changes     |                    | Date      | Finish  |
|             |                    |           | Break all edges   |
|             |                    |           | Hardening depth   |
|             |                    |           | HV  |
| Designer    | Leif Hansen        | Scale 1:1 | HC2D2HW Dual Hydraulic Booster  |
| Approved by | <i>[Signature]</i> | Format A3 | 2 Media, Stainless Steel  |
| Date        | 11.05.2017         |           | Assembly Drawing  |
|             |                    |           | <small>Confidential: Property of miniBOOSTER HYDRAULICS A/S Denmark. Not to be handed over to, copied or used by third party.</small><br> |
|             |                    |           | Drawing No.: 2D2HW-120-00   |