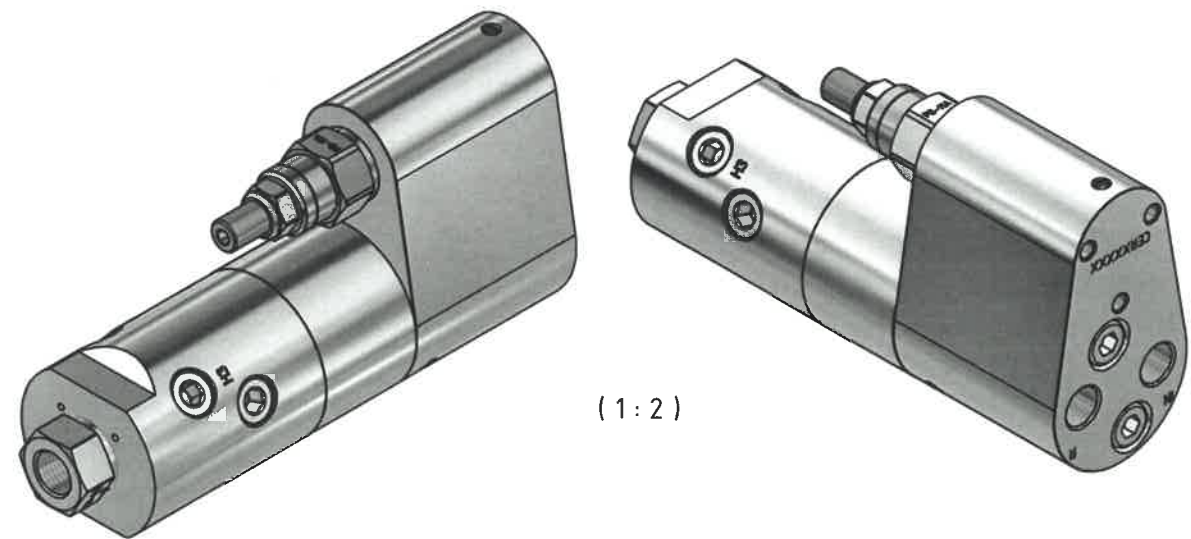


TABLE				
Ordering Code	IN & R	H1	H2	H3
HC72W- - -11	1/4" BSP	Drawing: 7W-900-0	-	-
HC72W- - -12	1/4" BSP	Drawing: 7W-900-0	9/16-18 UNF	-
HC72W- - -13	1/4" BSP	Drawing: 7W-900-0	9/16-18 UNF	9/16-18 UNF



Function diagram: 0-402-\_\_

Material		Issue	Material Code No.
Changes		Date	Name
Change layout		06.08.2020	P.W.
			Finish
			Break all edges
			Hardening depth
			HV
Designer	Peter Wasmer	Scale 1:1	HC72W- - - - Hydraulic Booster
Approved by	<i>[Signature]</i>	Format A3	
Date	29.06.2015		
			Assembly Drawing
			Drawing No.: 7W-128-01

