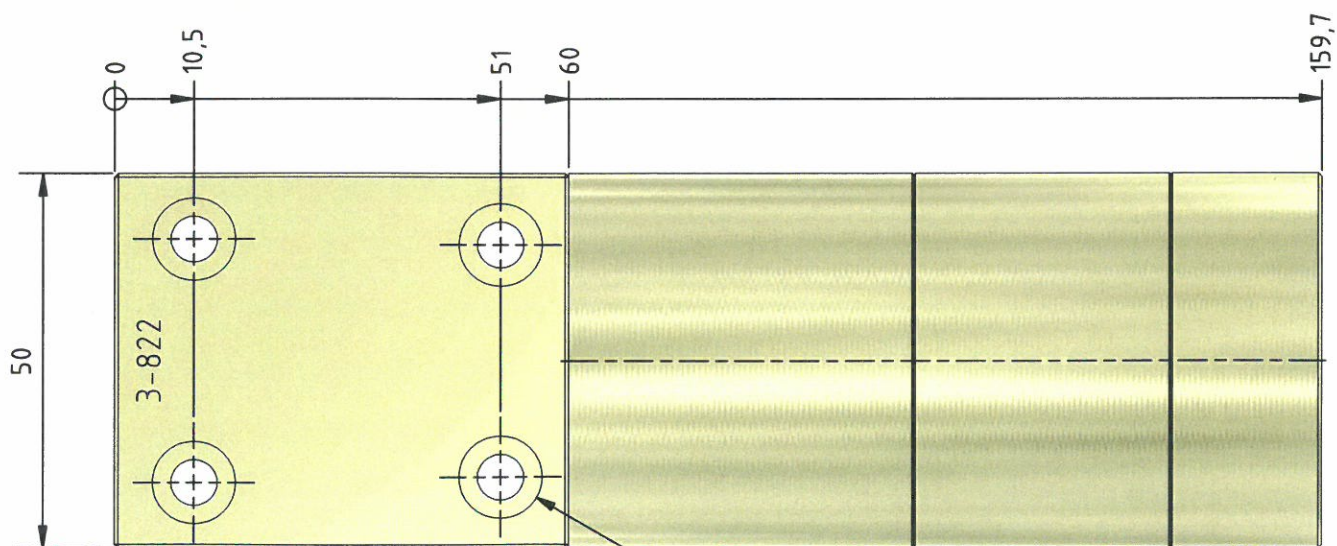
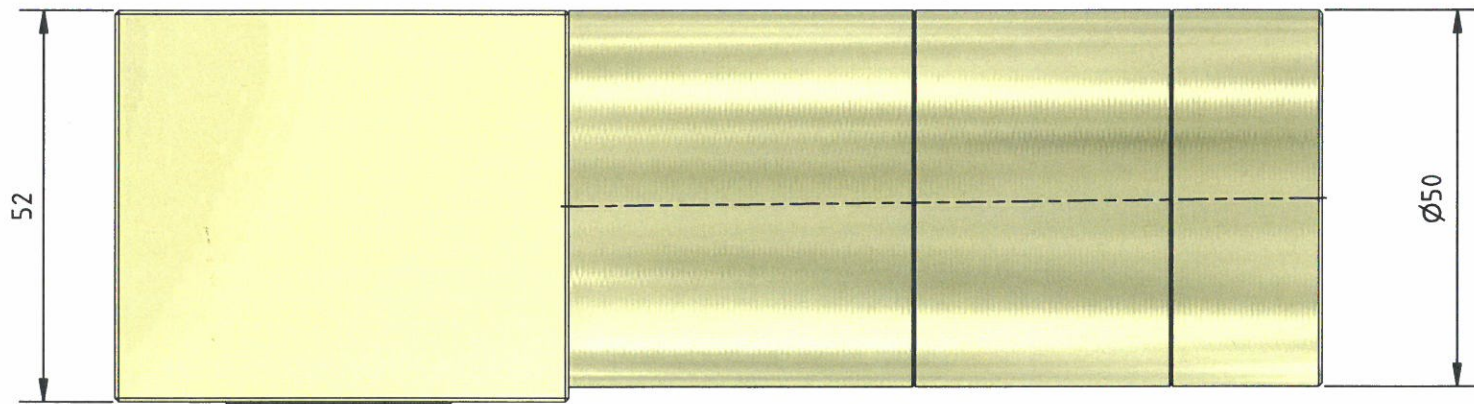
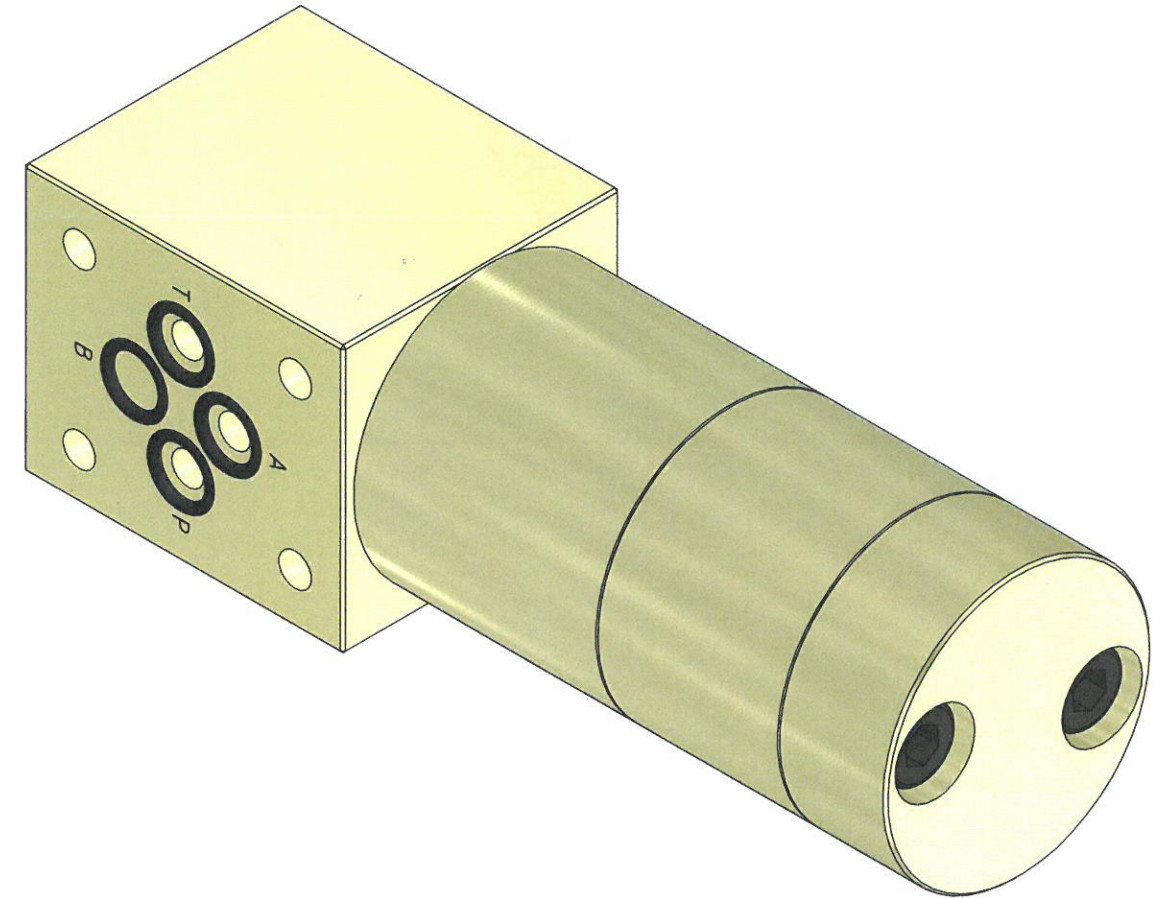


NG6 acc. to form A6, DIN 24340



Ø6,1 THRU
DIN 974 - Ø11 X 8

Function diagram: 3-134-__

Material		Issue	Material Code No.
Changes		Date	Name
New issue		19.03.09	L.H.
New issue		09.02.10	L.H.
Drawing renewed with 3D-model		23.05.16	B.P
			Hardening depth
			HV
Designer	Leif Hansen	Scale 1:1	HC3-__-__-H (NG6)
Approved by	<i>[Signature]</i>	Format A3	Hydraulic Booster
Date	19.08.04		Assembly Drawing
			Finish
			Break all edges
			Hardening depth
			HV
<small>Confidential: Property of miniBOOSTER HYDRAULICS A/S Denmark Not to be handed over to, copied or used by third party.</small>			
			Drawing No.: 3-133-03