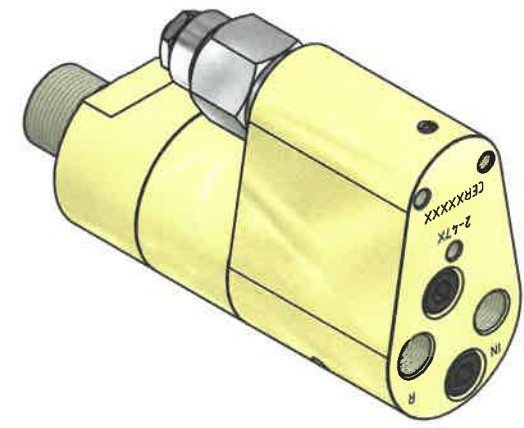
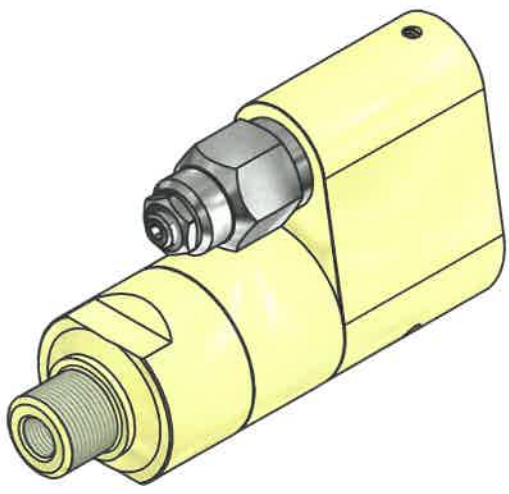


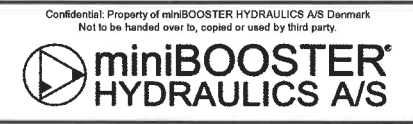
Connection	IN & R	H
HC25- _ _ -1	1/4" BSP	1/4" BSP
HC25- _ _ -2	7/16-20 UNF	9/16-18 UNF

Function Diagram:
0-405- _



1:2

Material		Issue	Material Code No.
Changes	Date	Name	Finish
New issue	19.06.2015	L.H.	
45° chamfer added. Colorized.	01.06.2016	B.P.	Break all edges
Type label removed	09.03.2018	L.H.	Hardening depth
			HV
Designer	Brian Petersen	Scale	HC25- _ _ - _
		1:1	
Approved by	<i>[Signature]</i>	Format	Hydraulic Booster
		A3	
Date	16-02-2015	Symbol	Assembly Drawing
			Drawing No.: 2-137-03



Confidential: Property of miniBOOSTER HYDRAULICS A/S Denmark
Not to be handed over to, copied or used by third party.