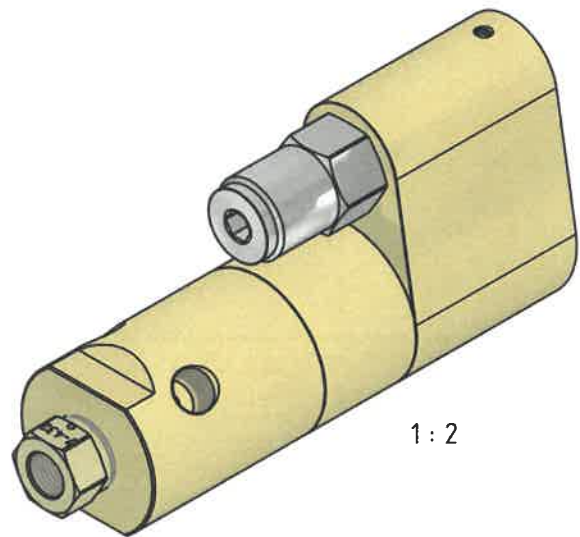
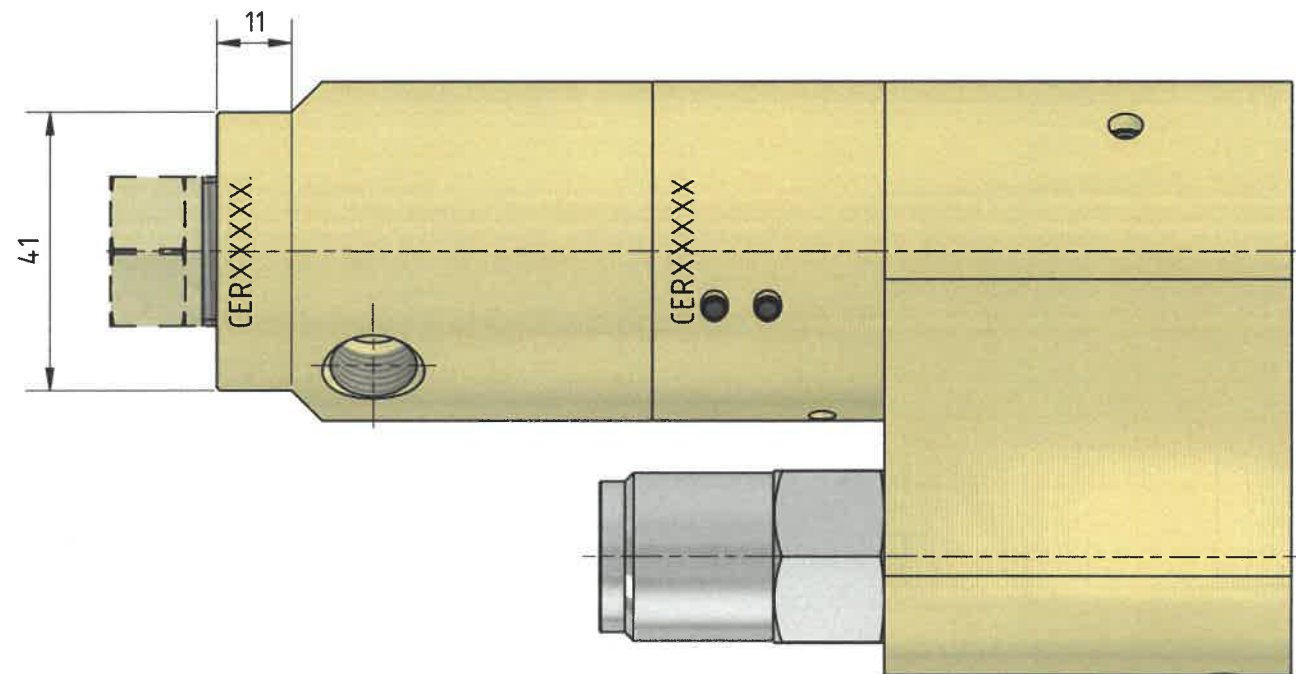
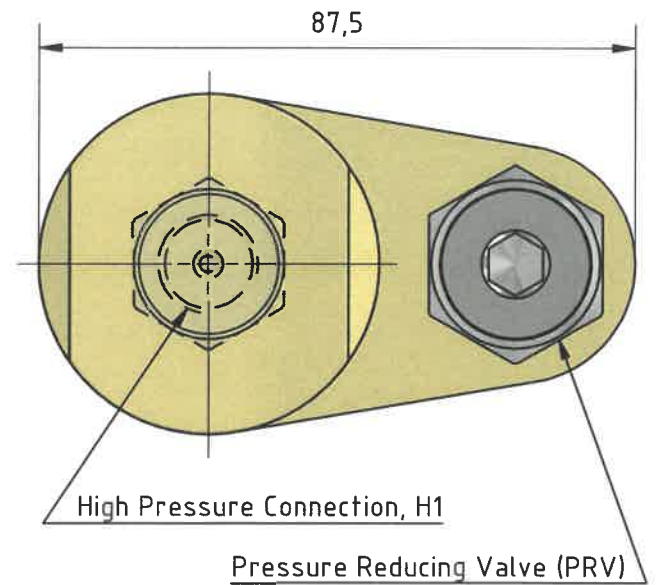
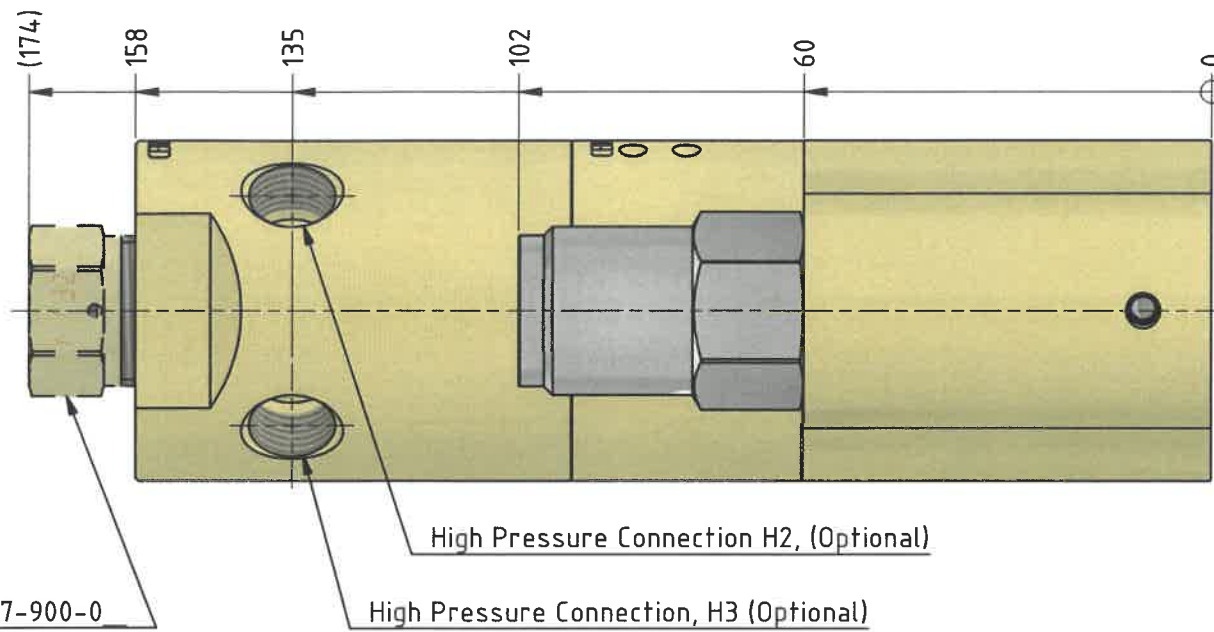


HP Adapter according to drawing 7-900-0



1:2

Function Diagram:
0-402-0_ & 0-409-0_

Ordering Code	IN & R	H1	H2	H3
HC72- - - -11	1/4" BSP	Drawing: 7-900-0	-	-
HC72- - - -21	7/16-20 UNF	Drawing: 7-900-0	-	-
HC72- - - -12	1/4" BSP	Drawing: 7-900-0	9/16-18 UNF	-
HC72- - - -22	7/16-20 UNF	Drawing: 7-900-0	9/16-18 UNF	-
HC72- - - -13	1/4" BSP	Drawing: 7-900-0	9/16-18 UNF	9/16-18 UNF
HC72- - - -23	7/16-20 UNF	Drawing: 7-900-0	9/16-18 UNF	9/16-18 UNF

Material			Issue	Material Code No.
Changes New Issue		Date 22-06-2015	Name L.H.	Finish
PRV valve changed. Function Diagram 0-409-0_ added		19-06-2020	L.H.	Break all edges
				Hardening depth
				HV
Designer	Leif Hansen	Scale 1:1	HC72- - - - -	
Approved by	<i>Leif Hansen</i>	Format A3	Hydraulic Booster	
Date	16-02-2015		Assembly Drawing	Drawing No.: 7-128-02



Confidential. Property of miniBOOSTER HYDRAULICS A/S Denmark
Not to be handed over to, copied or used by third party.