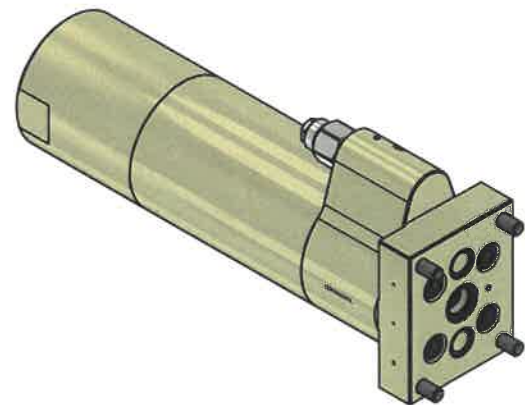
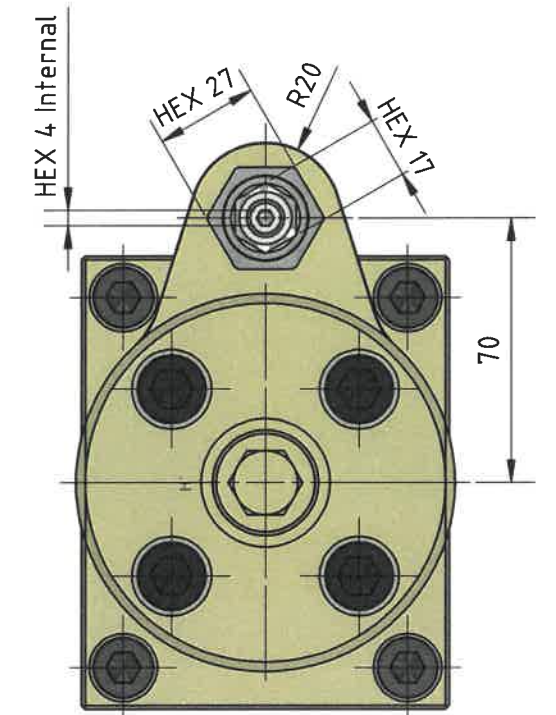
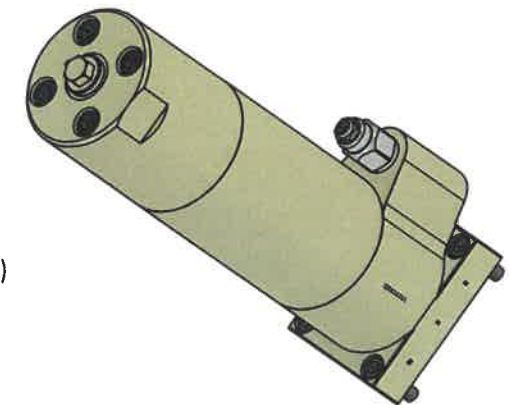


4x M10 x 35 DIN 912
 Internal HEX: 8mm
 Tightening Torque: 70 Nm



(1:5)



Function Diagram: 6D-108-0_

Material		Issue	Material Code No.
Changes		Date	Name
			Finish
			Break all edges
			Hardening depth
			HV
Designer	Leif Hansen	Scale 1:2	HC65D
Approved by	<i>[Signature]</i>	Format A3	Hydraulic Booster
Date	02-07-2019		Assembly Drawing
			<small>Confidential: Property of miniBOOSTER HYDRAULICS A/S Denmark Not to be handed over to, copied or used by third party.</small>
			Drawing No.: 6D-128-00