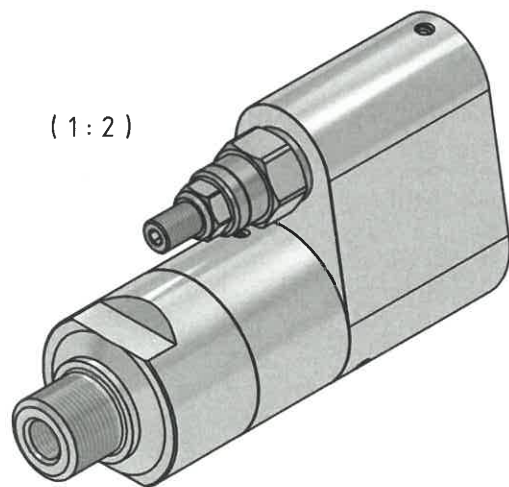


|               |          |          |
|---------------|----------|----------|
| Ordering Code | IN & R   | H        |
| HC22W-_-_-B-1 | 1/4" BSP | 1/4" BSP |

Function Diagram: 0-402-0\_

(1:2)



|                         |             |                   |  |
|-------------------------|-------------|-------------------|--|
| Material                |             | Issue             | Material Code No.  |
| Changes Drawing updated |             | Date 30-06-2020   | Name L.H.  |
|                         |             |                   | Finish   |
|                         |             |                   | Break all edges  |
|                         |             |                   | Hardening depth  |
|                         |             |                   | HV   |
| Designer                | Leif Hansen | Scale 1:1         | Confidential. Property of miniBOOSTER HYDRAULICS A/S Denmark<br>Not to be handed over to, copied or used by third party.<br> |
| Approved by             |             | Format A3         |  |
| Date                    | 12-06-2015  |                   |  |
|                         |             | HC22W-_-_-        |  |
|                         |             | Hydraulic Booster |  |
|                         |             | Assembly Drawing  | Drawing No.: 2W-124-01   |