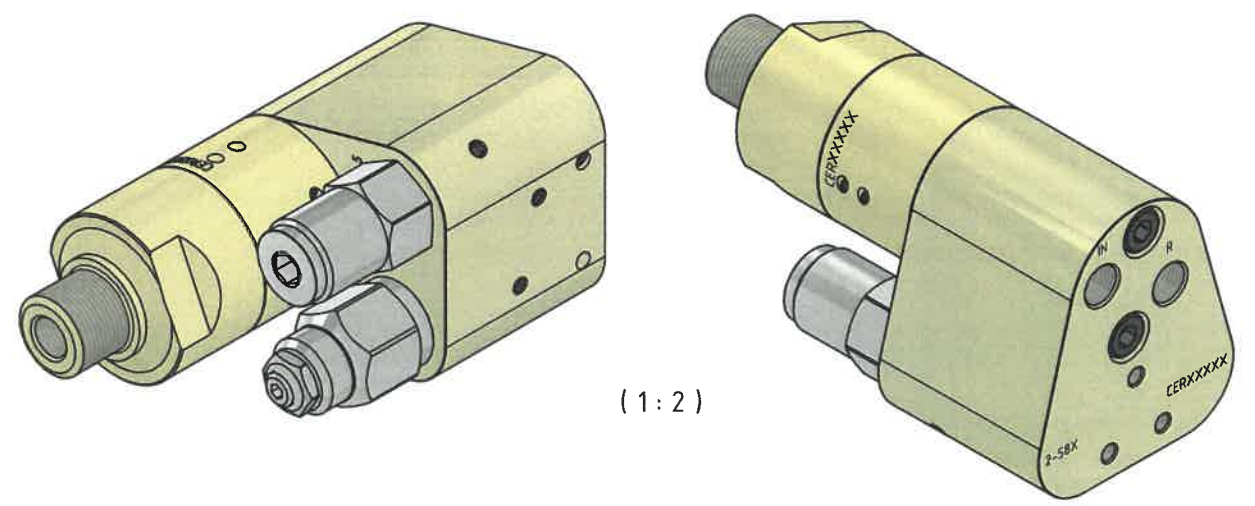


Booster Model	IN & R	H
HC225- _ _ -1	1/4" BSPP	1/4" BSPP
HC225- _ _ -2	7/16"-20 UNF	9/16"-18 UNF



Function Diagram: 0-414-0_

Material		Issue	Material Code No.
Changes		Date	Name
			Finish
			Break all edges
			Hardening depth
			HV
Designer	Leif Hansen	Scale 1:1	HC225- _ _ - _
Approved by	<i>[Signature]</i>	Format A3	Hydraulic Booster
Date	15.05.2019		Assembly Drawing
			<small>Confidential. Property of miniBOOSTER HYDRAULICS A/S Denmark. Not to be handed over to, copied or used by third party.</small>
			Drawing No.: 2-149-00