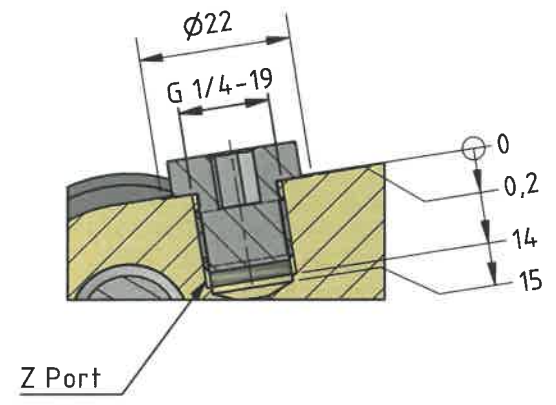
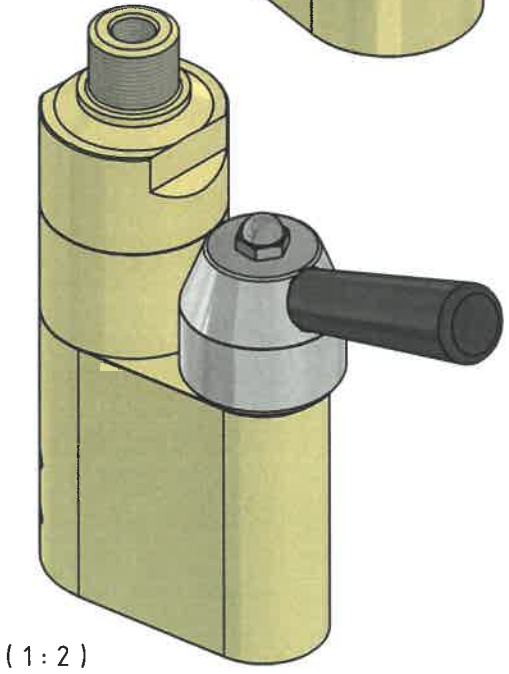


Manual Directional Control Valve,
Example: CP640-1B033D, Cavity: C10-4



| Connection | IN & R | H |
|---------------|-------------|-------------|
| HC21-_-B-1-0_ | 1/4" BSPP | 1/4" BSPP |
| HC21-_-B-2-0_ | 7/16-20 UNF | 9/16-18 UNF |

Function Diagram:
0-401- / 0-403-

| | | | |
|------------------------------|--------------------|------------|---|
| Material | | Issue | Material Code No. |
| Changes | | Date | Name |
| Type & warning label removed | | 09.03.2018 | L.H. |
| Z port added. | | 21-07-2020 | P.W. |
| | | | Break all edges |
| | | | Hardening depth |
| | | | HV |
| Designer | Peter Wasmer | Scale 1:1 | HC21-_-B-_-0_ |
| Approved by | <i>[Signature]</i> | Format A3 | Hydraulic Booster |
| Date | 09-08-2016 | | Assembly Drawing |
| | | | <small>Confidential: Property of miniBOOSTER HYDRAULICS A/S Denmark. Not to be handed over to, copied or used by third party.</small> |
| | | | Drawing No.: 2-142-02 |