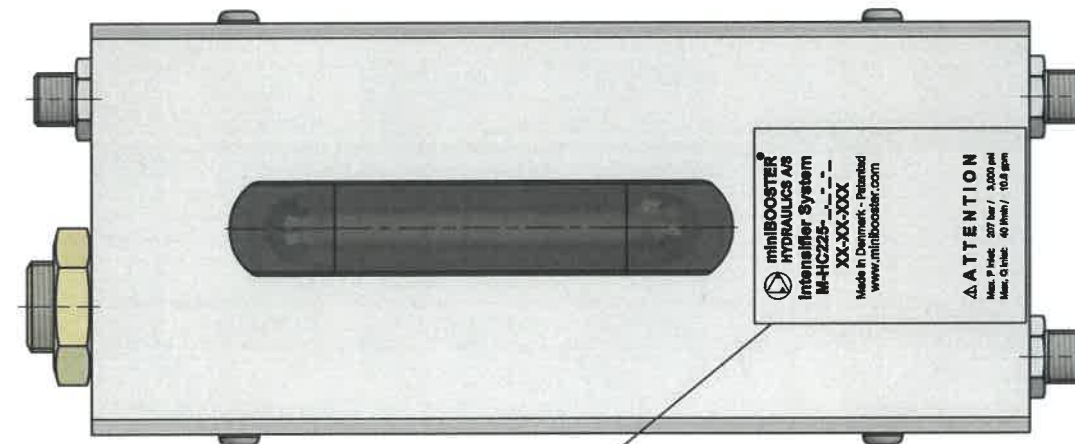
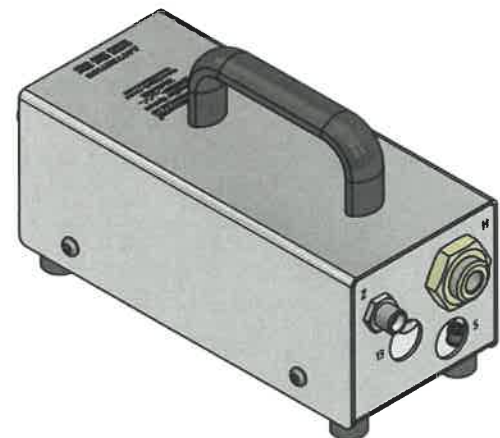
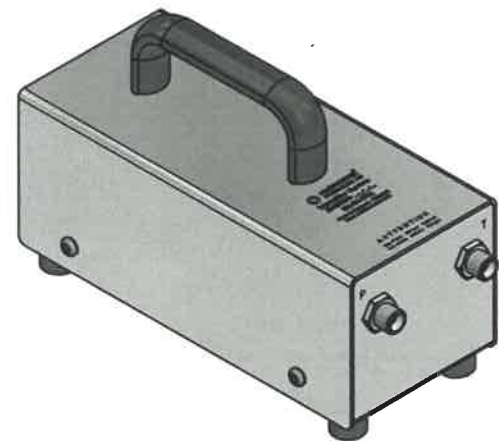


#13 - Counterbalance Valve

#5 - Pressure Reducing Valve



(1:1)

**miniBOOSTER**  
**HYDRAULICS A/S**  
**Intensifier System**  
**M-HC225-XX-XX-XXX**  
 Made in Denmark - Patented  
[www.minibooster.com](http://www.minibooster.com)  
**ATTENTION**  
 Max. P Inlet: 207 bar / 3,000 psi  
 Max. Q Inlet: 40 l/min / 10.6 gpm

**miniBOOSTER**  
**HYDRAULICS A/S**  
**Intensifier System**  
**M-HC225-XX-XX-XXX**  
 Made in Denmark - Patented  
[www.minibooster.com](http://www.minibooster.com)  
**ATTENTION**  
 Max. P Inlet: 207 bar / 3,000 psi  
 Max. Q Inlet: 40 l/min / 10.6 gpm

Function Diagram: 107-0\_\_  
 P, T & Z: M14x1.5 - 24° Cone (ISO 8434-1)  
 H: 1/4" BSPP Internal  
 Weight: 5,7 kg.

Material		Stainless Steel Housing		Issue	Material Code No.
Changes		Date	Name	Finish	
Engraving layout corrected		03-07-2020	L.H.	Break all edges	
				Hardening depth	
				HV	
Designer	Leif Hansen	Scale	M-HC225-__-__-1	<small>Confidential: Property of miniBOOSTER HYDRAULICS A/S Denmark Not to be handed over to, copied or used by third party.</small> <b>miniBOOSTER</b> <b>HYDRAULICS A/S</b>	
Approved by	<i>[Signature]</i>	Format	Intensifier System		
Date	13-02-2020	Format	Assembly Drawing		
				Drawing No.:	M-HC225-01