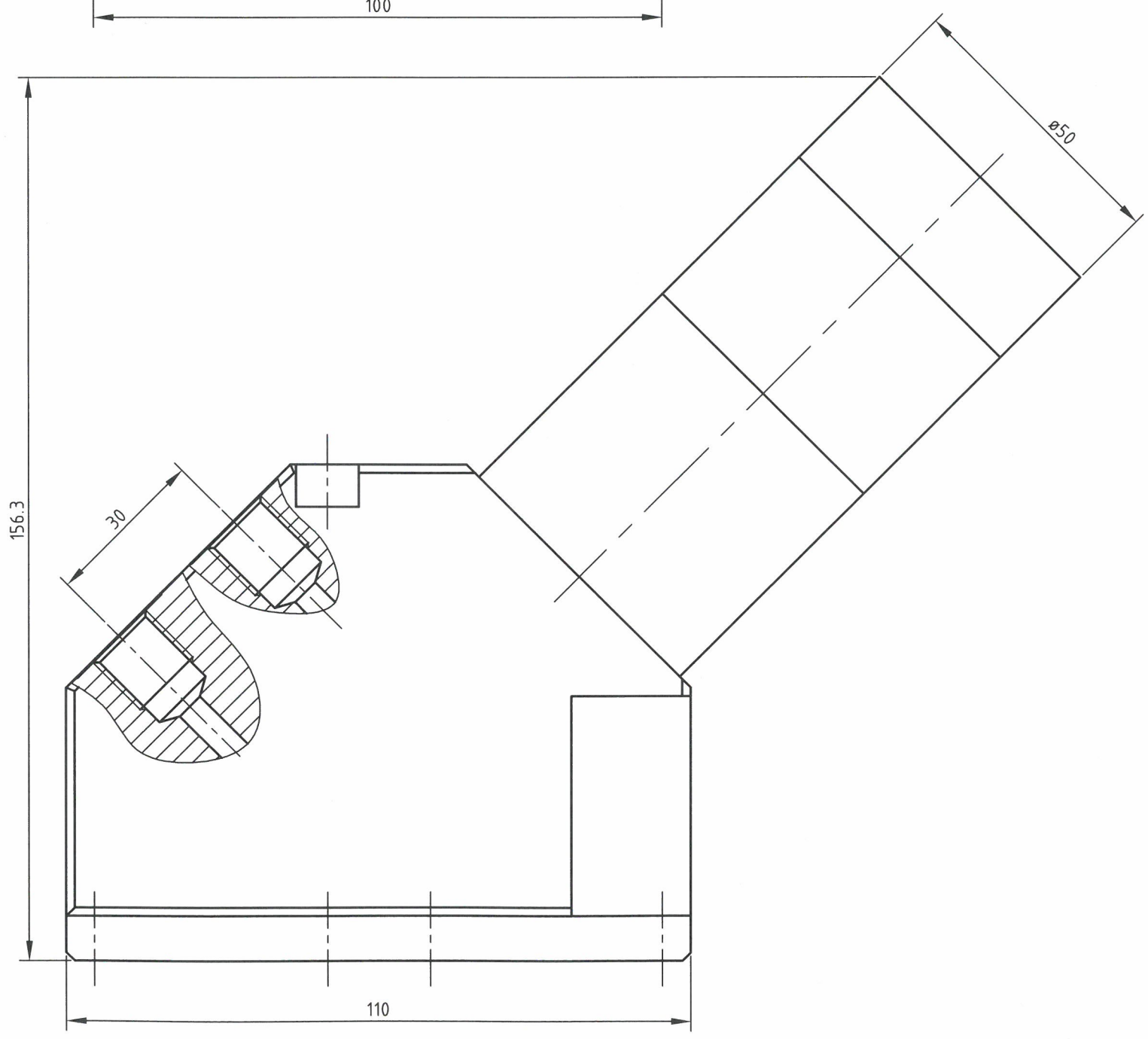
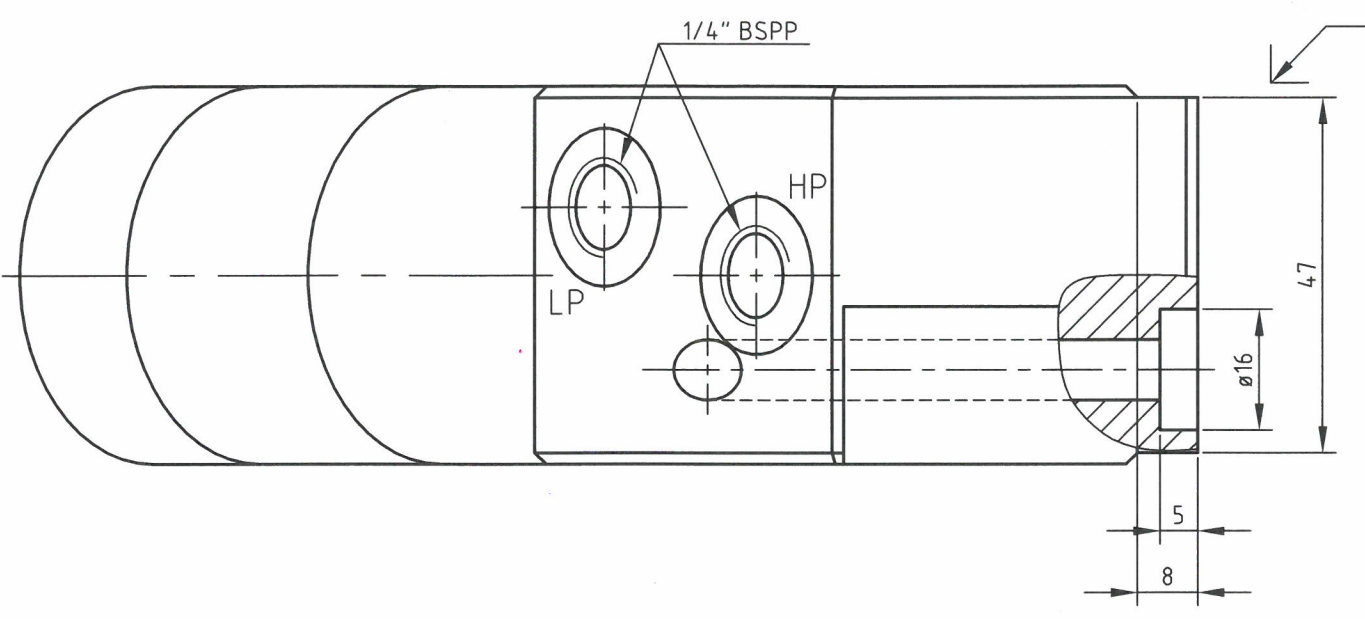
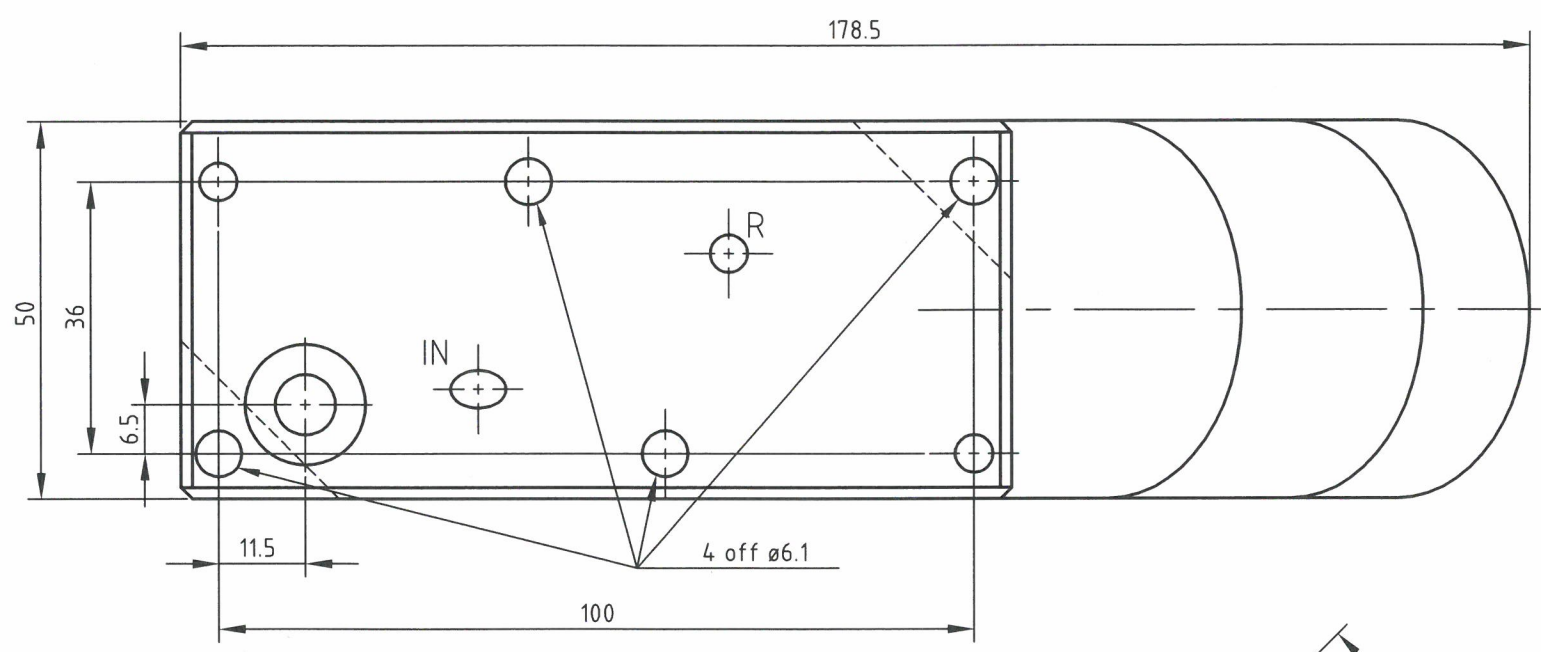


(✓)✓



To be mounted with  
 PVG 32; PVB, basic valve: 157B6849  
 Spool: 157B7000  
 Function diagram: 3-112-0\_

Number	Designation	Material	Dimension	Issue	Material code nr.
				4	
Changes		Date	Navn	Ext. dim.-, Int. dim.+, Distance:±	Surface
New issue		17.03.06	L.H		
P & T to IN & R		07.10.11	L.H.	Meas.-range	Break all edges
PVG32 Ordering No. add.		13.11.17	L.H	0-6 6-30 30-100 100-300 300-1000	Hardening depht
				2 dec. .00	
				1 dec. 0	
				No dec.	HV
Replace		Scale	Confidential: Property of miniBOOSTER, HYDRAULICS A/S Denmark Not to be handed over to, copied or used by third party.		
Designer	Leif Hansen	1:1	HC3+PVG 32 blok 45° dim. tegn.		
Konf.			HC3+PVG 32 block 45° dim. draw.		
Approb.	<i>[Signature]</i>		HC3+PVG 32 Block 45° Dim. Zeich.		
Date	05.11.01		No.: 3-126-04		

