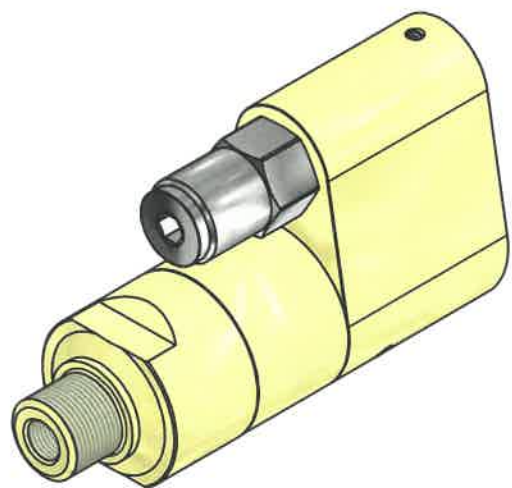
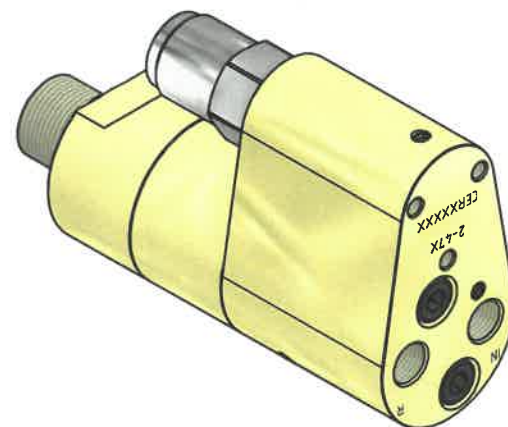


Connection	IN & R	H
HC22-_-_-1	1/4" BSP	1/4" BSP
HC22-_-_-2	7/16-20 UNF	9/16-18 UNF

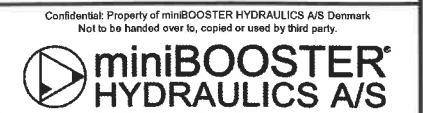


1:2



Function Diagram:
0-402-__

Material		Issue	Material Code No.
Changes	Date	Name	Finish
New issue	19.06.2015	L.H.	
45° chamfer added. Colorized.	01.06.2016	B.P.	Break all edges
Type label removed	09.03.2018	L.H.	Hardening depth
			HV
Designer	Brian Petersen	Scale	1:1
Approved by	<i>[Signature]</i>	Format	A3
Date	16-02-2015	HC22-_-_-	Hydraulic Booster
		Assembly Drawing	Drawing No.: 2-136-03



Confidential: Property of miniBOOSTER HYDRAULICS A/S Denmark
Not to be handed over to, copied or used by third party.