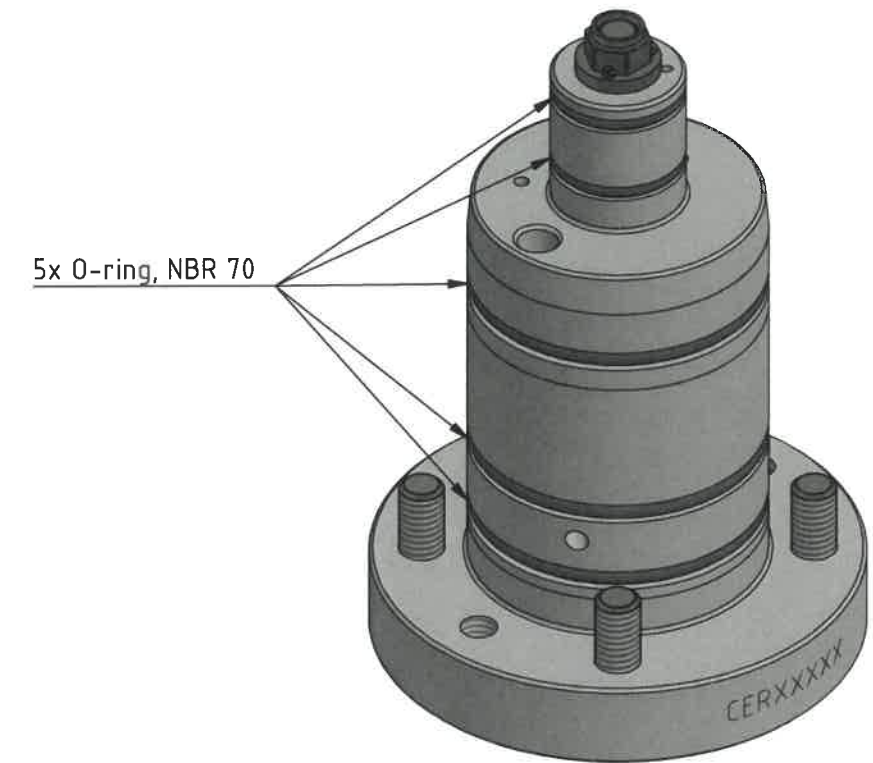
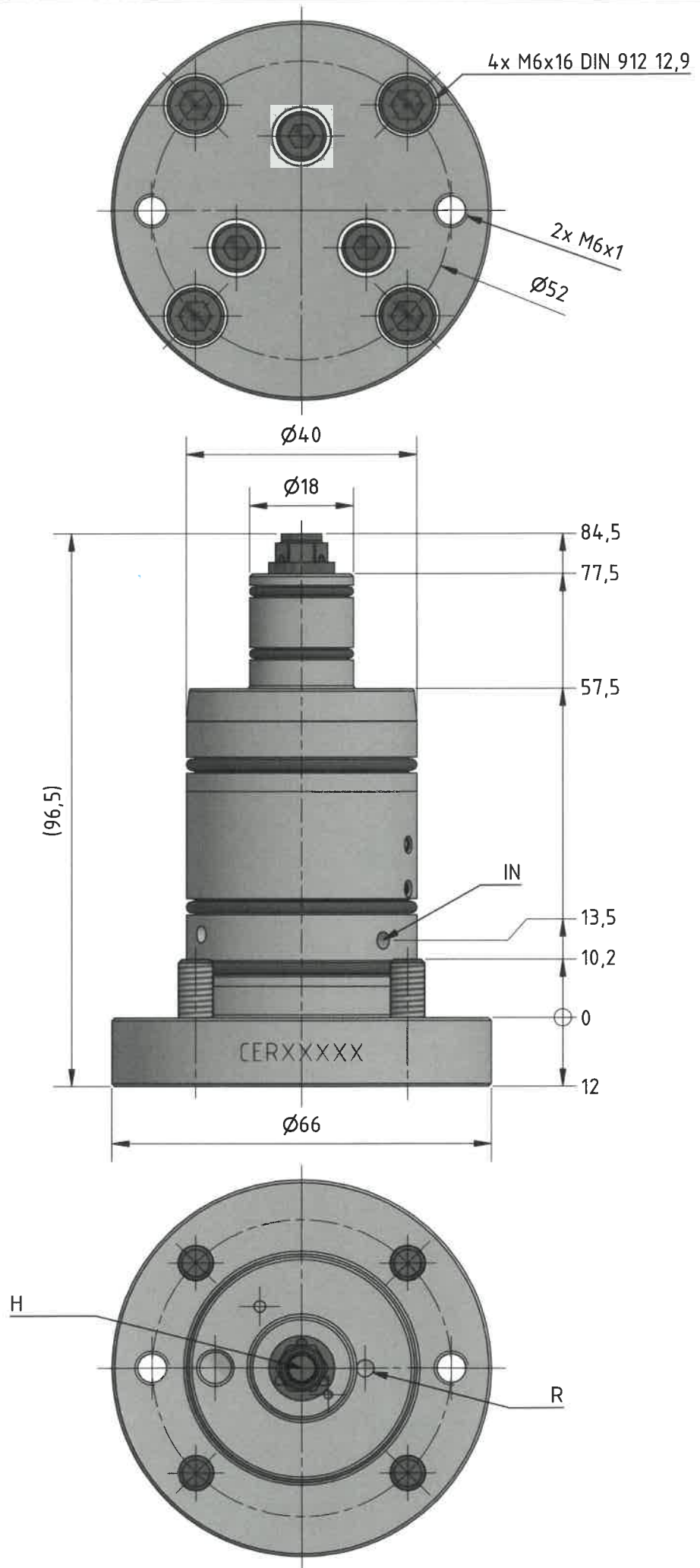
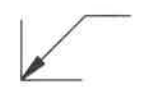


✓ (✓) (✓)



Function Diagram:
 B-model: 1-106-0_
 G-model: 0-128-0_

| | | | | | |
|------------------------------------|--------------------|------------|-----------------------------|-----------------|-------------------|
| Material | | GGG40 | | Issue | Material Code No. |
| | | | | | W.0.7040 |
| Changes | | Date | Name | Finish | |
| 5x o-ring NBR70 changed to PU90. | | 27-08-2015 | BP | Break all edges | |
| 2x M6x1 added to flange. | | 27-08-2015 | BP | Hardening depth | |
| RV valve ratio 13,2 added | | 30.03.2016 | L.H. | HV | |
| Product name changed | | 16.01.2017 | L.H. | | |
| O-rings changed from PU90 to NBR70 | | 23.03.2018 | L.H. | | |
| Designer | Brian Petersen | Scale | HC1-_-_-9 | | |
| | | 1:1 | Hydraulic Cartridge Booster | | |
| Approved by | <i>[Signature]</i> | Format | Assembly Drawing | | |
| | | A3 | | | |
| Date | 17-08-2015 | | Drawing No.: 1-121-04 | | |

