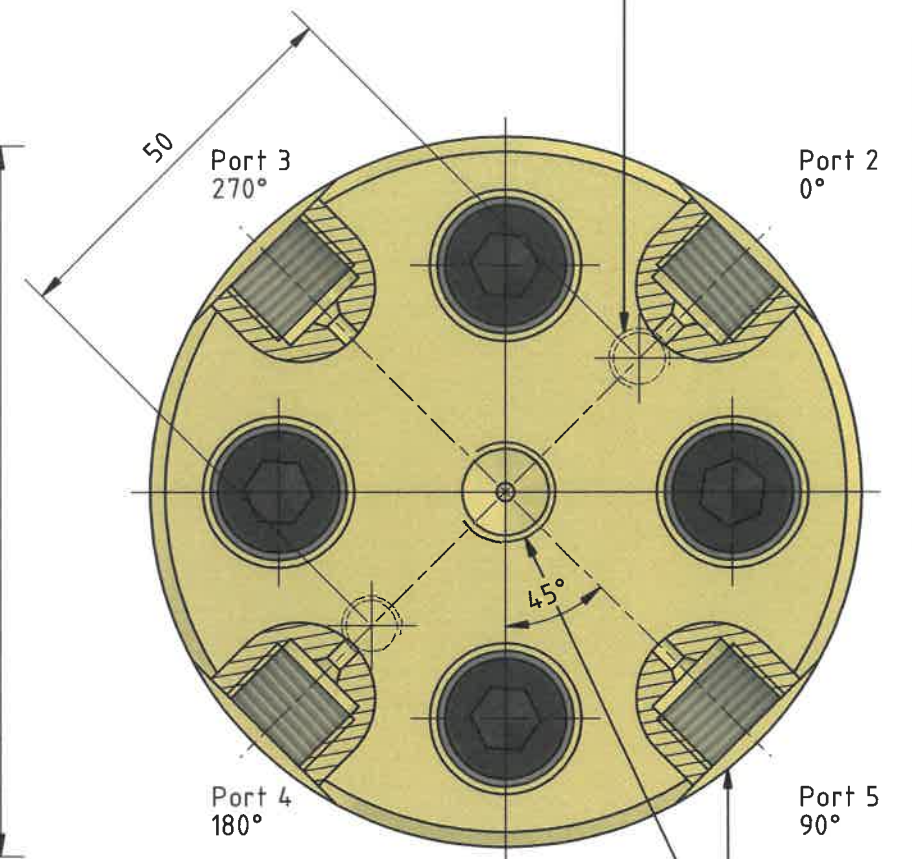
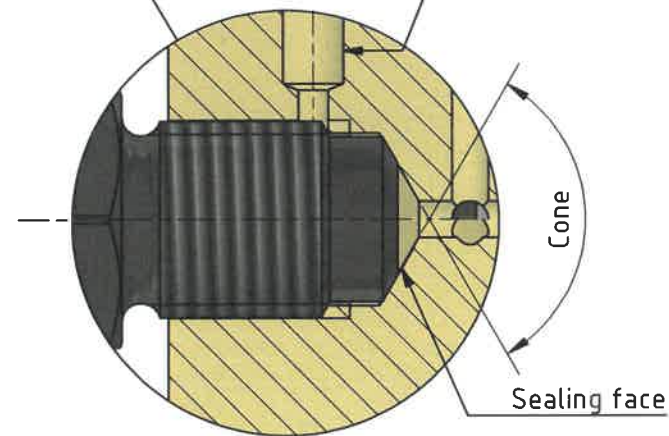


Mounting option: 2x M8 x 10. Max depth: 14



NB.: Total length depends on mounting plate. Please refer to drawing 8-900-__

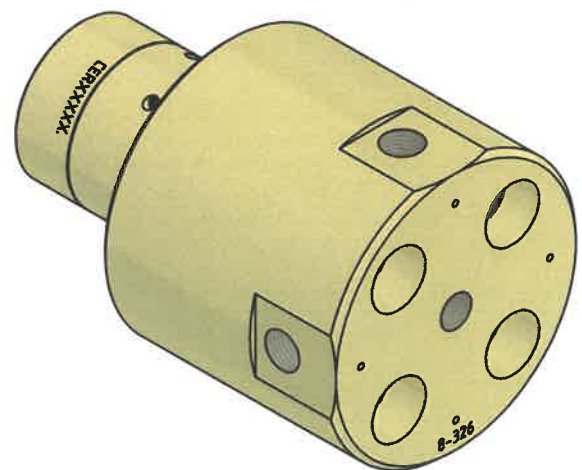
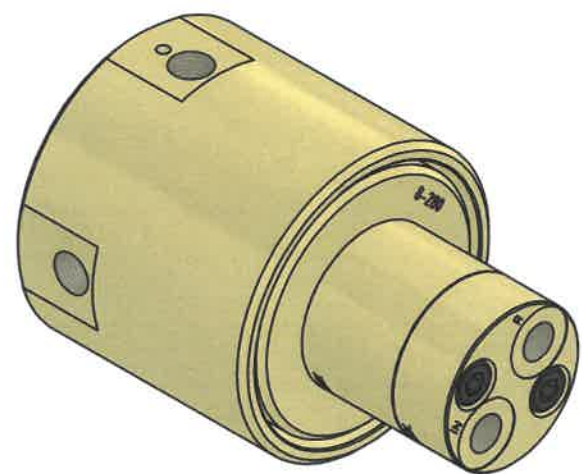
Weep hole. Shows leakage and prevents high pressure on thread.



All HP port connection options: Drawing 8-900-__

Option:

All high pressure plates can be mounted and turned 90°, 180° or 270°.
Standard mounting as shown.



Function diagram: 8-105-__

HC8H Ordering Code	IN & R
HC8H-____-1	1/4" BSPP
HC8H-____-2	7/16"-20 UNF

Material		Issue	Material Code No.
Changes		Date	Name
			Finish
			Break all edges
			Hardening depth
			HV
Designer	Leif Hansen	Scale 1 : 1	HC8-____-__
Approved by		Format A3	Hydraulic Booster
Date	06-05-2020		Assembly Drawing
			<small>Confidential: Property of miniBOOSTER HYDRAULICS A/S Denmark Not to be handed over to, copied or used by third party.</small>
			Drawing No.: 8H-120-00