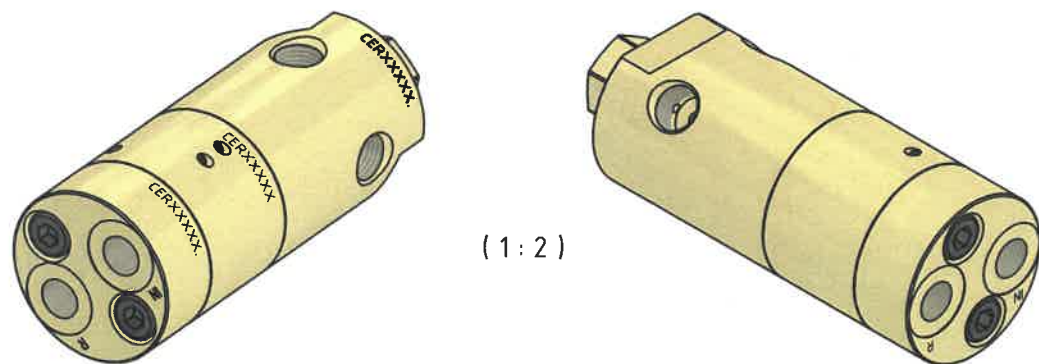


Function Diagram: 7-105-__

Ordering Code	IN & R	H1	H2	H3	H4
HC7H-__-__-11	1/4" BSPP	M22 x 1.5	-	-	-
HC7H-__-__-12	1/4" BSPP	M22 x 1.5	9/16-18 UNF	-	-
HC7H-__-__-13	1/4" BSPP	M22 x 1.5	9/16-18 UNF	9/16-18 UNF	-
HC7H-__-__-14	1/4" BSPP	M22 x 1.5	9/16-18 UNF	9/16-18 UNF	9/16-18 UNF
HC7H-__-__-21	7/16-20 UNF	M22 x 1.5	-	-	-
HC7H-__-__-22	7/16-20 UNF	M22 x 1.5	9/16-18 UNF	-	-
HC7H-__-__-23	7/16-20 UNF	M22 x 1.5	9/16-18 UNF	9/16-18 UNF	-
HC7H-__-__-24	7/16-20 UNF	M22 x 1.5	9/16-18 UNF	9/16-18 UNF	9/16-18 UNF



(1:2)

Material		Issue	Material Code No.
Changes		Date	Name
Connection H4 added		20-11-2020	L.H.
Tightening Torque HP Adapter: 180 Nm		04-11-2021	L.H.
			Break all edges
			Hardening depth
			HV
Designer	Leif Hansen	Scale 1:1	<small>Confidential: Property of miniBOOSTER HYDRAULICS A/S Denmark Not to be handed over to, copied or used by third party.</small>
Approved by	<i>[Signature]</i>	Format A3	
Date	06-05-2020		
		HC7H-__-__-__	
		Hydraulic Booster	
		Assembly Drawing	Drawing No.: 7H-120-02