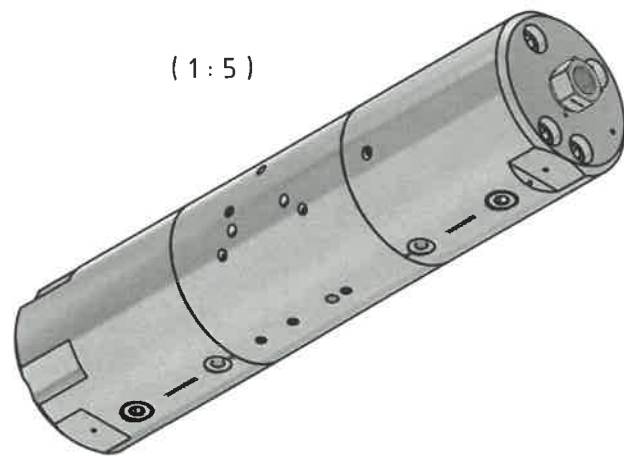


High Pressure Connection H1 acc. drawing 6DW-900-0

(1:5)



Supply Connections	Inspection Connections	High Pressure Connections	Function diagram: 6DW-105-0__	
IN & R	I1 & I2	H1 & H2	Issue	Material Code No.
1 1/2" BSPP	1/8" BSPP	M30x1,5	Changes	Finish
Material			Date	Break all edges
Changes			Name	Hardening depth
				HV
Designer	Leif Hansen	Scale 1:2	HC6DHW	
Approved by	<i>[Signature]</i>	Format A3	Dual Hydraulic Booster, Stainless S.	
Date	12-06-2017		Assembly Drawing	Drawing No.: 6DHW-124-00

Confidential: Property of miniBOOSTER HYDRAULICS A/S Denmark
Not to be handed over to, copied or used by third party.

miniBOOSTER HYDRAULICS A/S