

EVOLU 633 SPINDLE GRADE A1-H

APPLICATION

Optimum vibration isolation for a wide range of applications. For larger, heavy-weighted equipment under extreme conditions that needs optimal vibration isolation at both high and low frequencies, such as large generator sets, pump units, large diesel engines, compressor/cooling units, gearboxes, windmills, deck house mountings, control cabins.

MATERIAL

Rubber part: Highest quality natural rubber
Metal: Aluminum/Steel

IDENTIFICATION

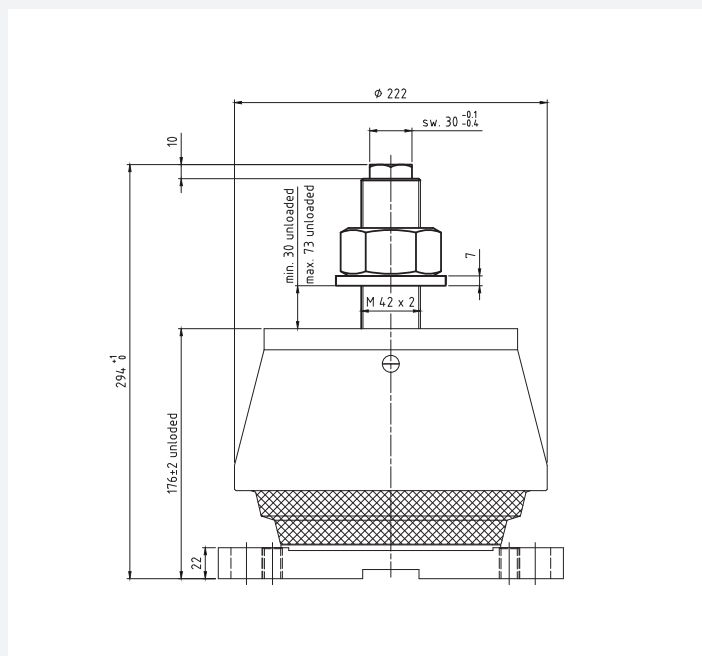
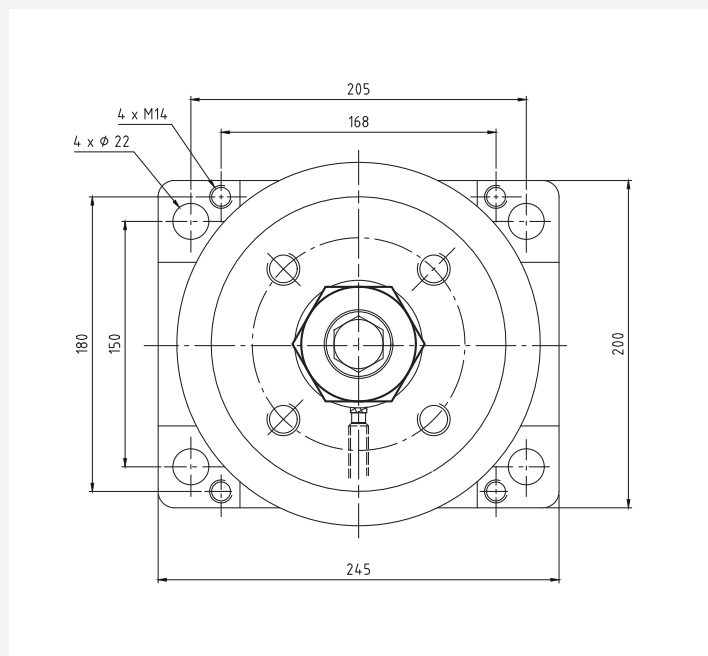
The type is marked in the mounting plate.

ADVANTAGES

- Type approvals available on request
- Optimum vibration isolation
- Easy and quick installation
- Build in end-limiter to protect against overload
- Capable of handling both vertical and horizontal forces
- Natural rubber gives maximum vibration isolation
- For loads between 2.750 and 12.000 kg
- Stock item



TECHNICAL DRAWING

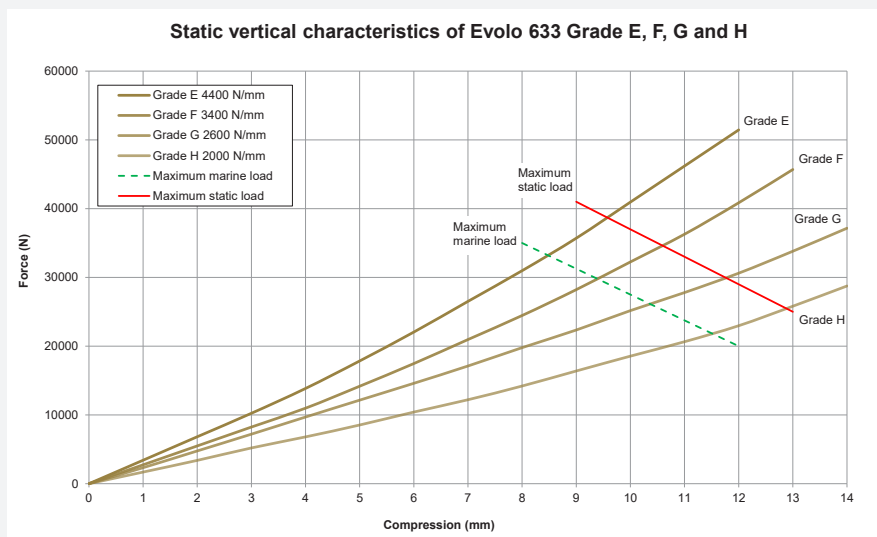
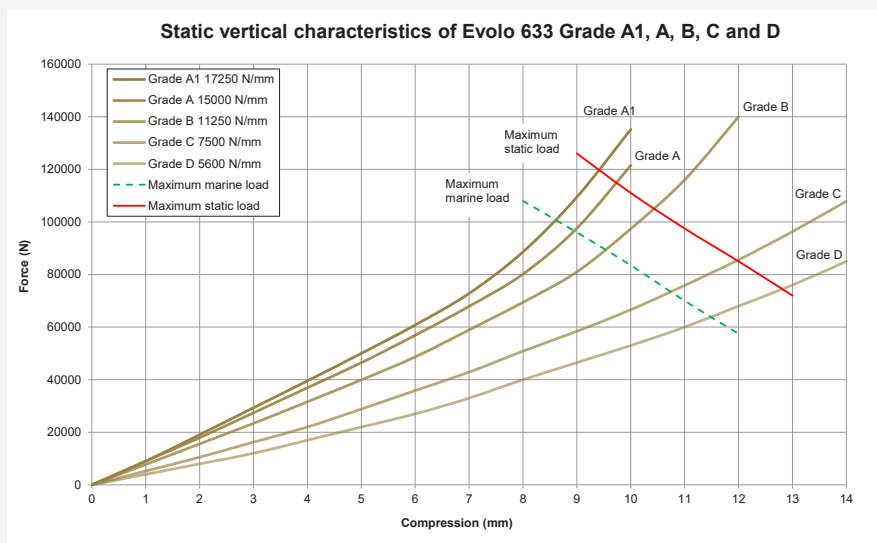


EVOLo 633 SPINDLE GRADE A1-H

TECHNICAL DATA

ARTICLE NO.	GRADE	MAXIMUM LOAD
1031633A7	A1	118 kN
1030633A7	A	118 kN
1030633B7	B	104 kN
1030633C7	C	85 kN
1030633D7	D	72 kN
1030633E7	E	38 kN
1030633F7	F	34 kN
1030633G7	G	30 kN
1030633H7	H	27 kN

STATIC VERTICAL CHARACTERISTICS



EVOLVO 633 SPINDLE GRADE A1-H

HORIZONTAL CHARACTERISTICS WHEN PRECOMPRESSED 4 MM

