

# EVOLo 631 GRADE A-F

## APPLICATION

Optimum vibration isolation for a wide range of applications. For larger, heavy-weighted equipment under extreme conditions that needs optimal vibration isolation at both high and low frequencies, such as generator sets, pump units, large diesel engines, compressor/cooling units, gearboxes, windmills, deck house mountings, control cabins.

## MATERIAL

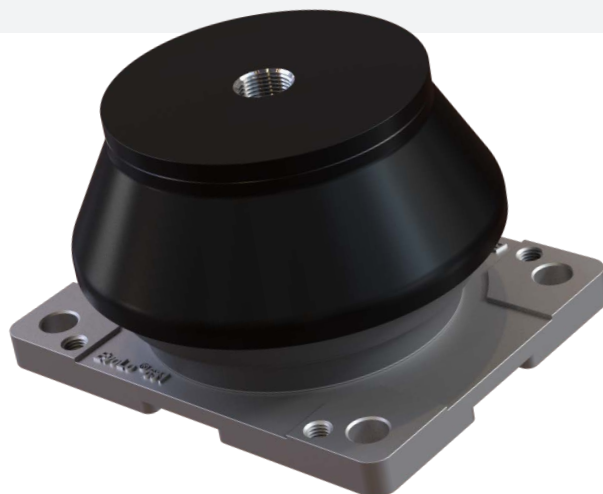
Rubber part: Highest quality natural rubber  
Metal: Aluminum

## IDENTIFICATION

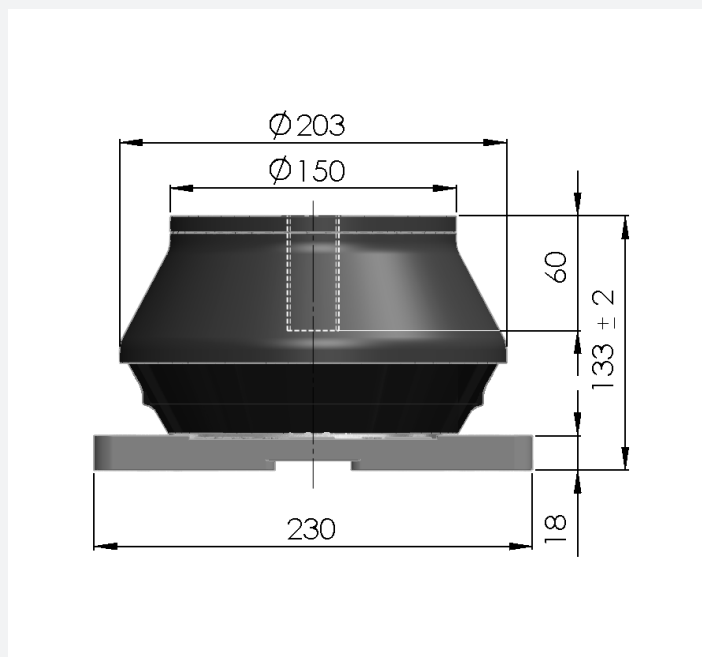
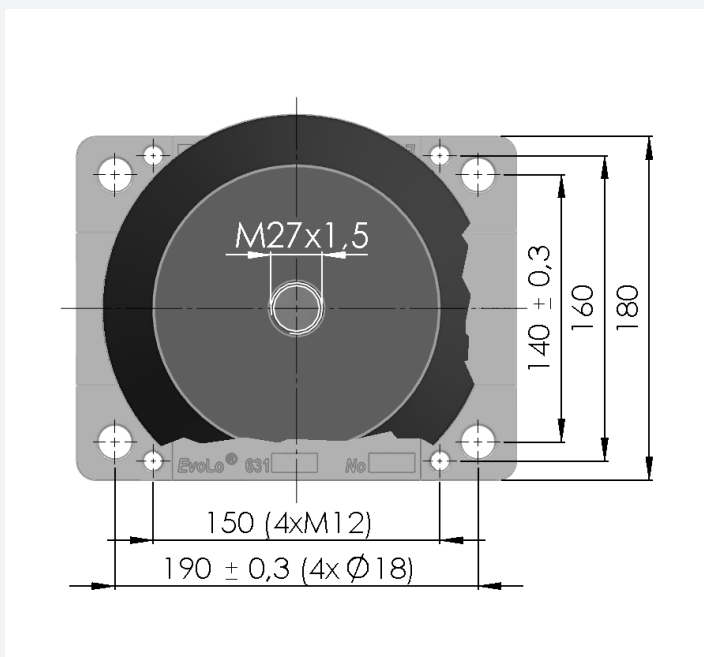
The type is marked in the mounting plate.

## ADVANTAGES

- Type approvals available on request
- Optimum vibration isolation
- Easy and quick installation
- Build in end-limiter to protect against overload
- Capable of handling both vertical and horizontal forces
- Natural rubber gives maximum vibration isolation
- One type fits all weights between 1000 and 6000 kg
- Stock item



## TECHNICAL DRAWING

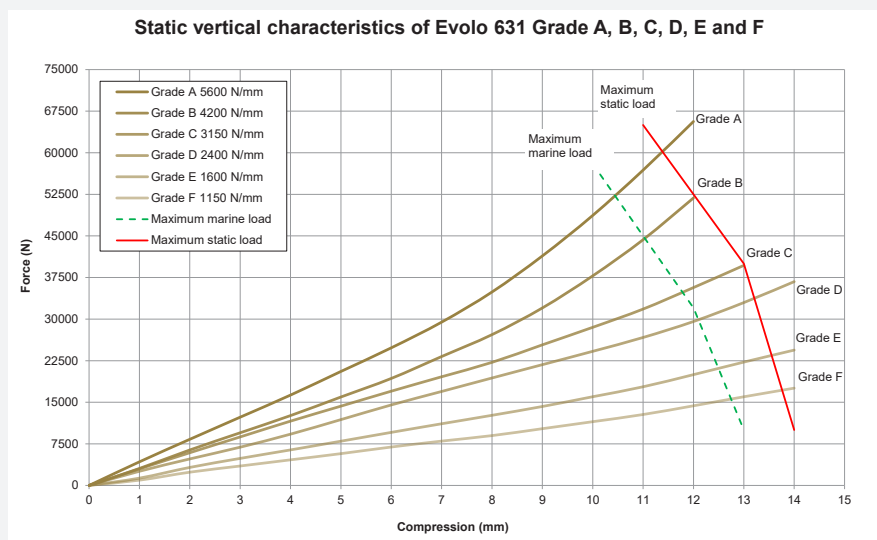


# EVOLo 631 GRADE A-F

## TECHNICAL DATA

ARTICLE NO.	GRADE	MAXIMUM LOAD
1030631A0	A	60 kN
1030631B0	B	50 kN
1030631C0	C	40 kN
1030631D0	D	33 kN
1030631E0	E	23 kN
1030631F0	F	17 kN

## STATIC VERTICAL CHARACTERISTICS



## HORIZONTAL CHARACTERISTICS WHEN PRE-COMPRESSED 5 MM

